



ART. R423B+M523A

1/2" UP-Thermostatbrausemischer

- Griffe
- mit Rosette
- Drehumsteller 2-Wege
- 1/2" Eingänge
- Schallschutz
- nur für vertikale Montage

Datum

Project/Kommentar

AP-Teil

- | | |
|---|-------------|
| <input type="checkbox"/> Chrom | 53 02 R423B |
| <input type="checkbox"/> Schwarz matt | 53 13 R423B |
| <input type="checkbox"/> Polished Nickel PVD | 53 95 R423B |
| <input type="checkbox"/> Matt Gun Metal PVD | 53 P5 R423B |
| <input type="checkbox"/> Matt British Gold PVD | 53 P6 R423B |
| <input type="checkbox"/> Matt Copper PVD | 53 P9 R423B |
| <input type="checkbox"/> Deep Black PVD | 53 S1 R423B |
| <input type="checkbox"/> Mokka PVD | 53 S5 R423B |
| <input type="checkbox"/> Brushed Steel Look PVD | 53 92 R423B |
| <input type="checkbox"/> Pure Brass PVD | 53 Q7 R423B |
| <input type="checkbox"/> Raw Metal PVD | 53 Q8 R423B |

UP-Teil

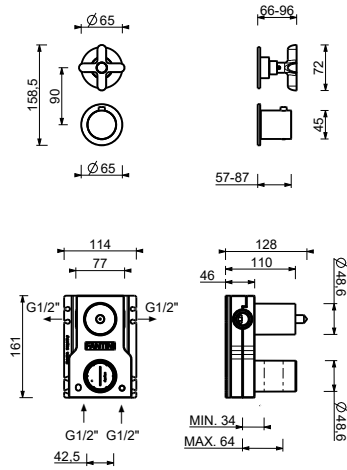
- | | |
|--------------------------|-------------|
| <input type="checkbox"/> | 44 00 M523A |
|--------------------------|-------------|

GESAMTPREIS

- | | |
|---|-------------|
| <input type="checkbox"/> Chrom | 53 02 R423B |
| <input type="checkbox"/> Schwarz matt | 53 13 R423B |
| <input type="checkbox"/> Polished Nickel PVD | 53 95 R423B |
| <input type="checkbox"/> Matt Gun Metal PVD | 53 P5 R423B |
| <input type="checkbox"/> Matt British Gold PVD | 53 P6 R423B |
| <input type="checkbox"/> Matt Copper PVD | 53 P9 R423B |
| <input type="checkbox"/> Deep Black PVD | 53 S1 R423B |
| <input type="checkbox"/> Mokka PVD | 53 S5 R423B |
| <input type="checkbox"/> Brushed Steel Look PVD | 53 92 R423B |
| <input type="checkbox"/> Pure Brass PVD | 53 Q7 R423B |
| <input type="checkbox"/> Raw Metal PVD | 53 Q8 R423B |

ICONA CLASSIC

ART. R423B+M523A 1/2" UP-Thermostatbrauseemischer



Abgang Nummer 1

Wasserdruck(bar)	Durchfluss (l/min)
0.5	8.44
1	11.87
2	16.79
3	20.5
4	23.76

Abgang Nummer 2

Wasserdruck(bar)	Durchfluss (l/min)
0.5	7.45
1	10.47
2	14.59
3	17.9
4	20.7