



ART. R423B+M623A

1/2" UP-Thermostatbrausemischer

- Griffe
- mit Rosette
- Drehumsteller 2-Wege
- 1/2" Eingänge
- Schallschutz
- nur für horizontale Montage

Datum

Project/Kommentar

AP-Teil

<input type="checkbox"/>	Chrom	53 02 R423B
<input type="checkbox"/>	Schwarz matt	53 13 R423B
<input type="checkbox"/>	Polished Nickel PVD	53 95 R423B
<input type="checkbox"/>	Matt Gun Metal PVD	53 P5 R423B
<input type="checkbox"/>	Matt British Gold PVD	53 P6 R423B
<input type="checkbox"/>	Matt Copper PVD	53 P9 R423B
<input type="checkbox"/>	Deep Black PVD	53 S1 R423B
<input type="checkbox"/>	Mokka PVD	53 S5 R423B
<input type="checkbox"/>	Brushed Steel Look PVD	53 92 R423B
<input type="checkbox"/>	Pure Brass PVD	53 Q7 R423B
<input type="checkbox"/>	Raw Metal PVD	53 Q8 R423B

GESAMTPREIS

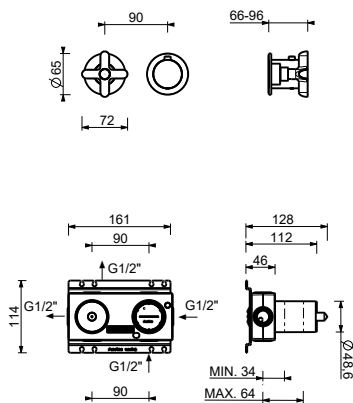
<input type="checkbox"/>	Chrom	53 02 R423B
<input type="checkbox"/>	Schwarz matt	53 13 R423B
<input type="checkbox"/>	Polished Nickel PVD	53 95 R423B
<input type="checkbox"/>	Matt Gun Metal PVD	53 P5 R423B
<input type="checkbox"/>	Matt British Gold PVD	53 P6 R423B
<input type="checkbox"/>	Matt Copper PVD	53 P9 R423B
<input type="checkbox"/>	Deep Black PVD	53 S1 R423B
<input type="checkbox"/>	Mokka PVD	53 S5 R423B
<input type="checkbox"/>	Brushed Steel Look PVD	53 92 R423B
<input type="checkbox"/>	Pure Brass PVD	53 Q7 R423B
<input type="checkbox"/>	Raw Metal PVD	53 Q8 R423B

UP-Teil

<input type="checkbox"/>	44 00 M623A
--------------------------	-------------

ICONA CLASSIC

ART. R423B+M623A
1/2" UP-Thermostatbrausemischer



Abgang Nummer 1

Wasserdruck(bar)	Durchfluss (l/min)
0.5	8.44
1	11.87
2	16.79
3	20.5
4	23.76

Abgang Nummer 2

Wasserdruck(bar)	Durchfluss (l/min)
0.5	7.45
1	10.47
2	14.59
3	17.9
4	20.7