



## ART. R423B+M623A

### Monomando termostático ducha empotrado 1/2"

- manetas
- con embellecedores
- desviador giratorio 2 salidas
- entradas de 1/2"
- aislamiento acústico
- solo para montaje horizontal

### Fecha

### Proyecto/Comentarios

#### Parte externa

- |   |             |
|---|-------------|
| <input type="checkbox"/> Cromo                  | 53 02 R423B |
| <input type="checkbox"/> Negro Opaco            | 53 13 R423B |
| <input type="checkbox"/> Polished Nickel PVD    | 53 95 R423B |
| <input type="checkbox"/> Matt Gun Metal PVD     | 53 P5 R423B |
| <input type="checkbox"/> Matt British Gold PVD  | 53 P6 R423B |
| <input type="checkbox"/> Matt Copper PVD        | 53 P9 R423B |
| <input type="checkbox"/> Deep Black PVD         | 53 S1 R423B |
| <input type="checkbox"/> Mokka PVD              | 53 S5 R423B |
| <input type="checkbox"/> Brushed Steel Look PVD | 53 92 R423B |
| <input type="checkbox"/> Pure Brass PVD         | 53 Q7 R423B |
| <input type="checkbox"/> Raw Metal PVD          | 53 Q8 R423B |

#### Parte empotrable

- |                          |             |
|--------------------------|-------------|
| <input type="checkbox"/> | 44 00 M623A |
|--------------------------|-------------|

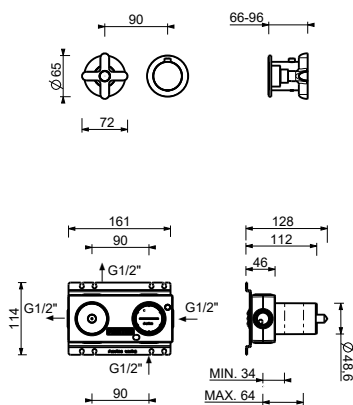
#### PRECIO TOTAL

- |   |             |
|---|-------------|
| <input type="checkbox"/> Cromo                  | 53 02 R423B |
| <input type="checkbox"/> Negro Opaco            | 53 13 R423B |
| <input type="checkbox"/> Polished Nickel PVD    | 53 95 R423B |
| <input type="checkbox"/> Matt Gun Metal PVD     | 53 P5 R423B |
| <input type="checkbox"/> Matt British Gold PVD  | 53 P6 R423B |
| <input type="checkbox"/> Matt Copper PVD        | 53 P9 R423B |
| <input type="checkbox"/> Deep Black PVD         | 53 S1 R423B |
| <input type="checkbox"/> Mokka PVD              | 53 S5 R423B |
| <input type="checkbox"/> Brushed Steel Look PVD | 53 92 R423B |
| <input type="checkbox"/> Pure Brass PVD         | 53 Q7 R423B |
| <input type="checkbox"/> Raw Metal PVD          | 53 Q8 R423B |

# ICONA CLASSIC

## ART. R423B+M623A

Monomando termostático ducha empotrado 1/2"



### Salida 1

Presión(bar)	Caudal (l/min)
0.5	8.44
1	11.87
2	16.79
3	20.5
4	23.76

### Salida 2

Presión(bar)	Caudal (l/min)
0.5	7.45
1	10.47
2	14.59
3	17.9
4	20.7