



ART. R423B+M623A

1/2" built-in thermostatic shower mixer

- handles
- with rosaces
- 2-way diverter with turning knob
- 1/2" inlets
- soundproof
- for horizontal installation only

Date _____

Project/Comments: _____

External piece

- | | |
|---|-------------|
| <input type="checkbox"/> Chrome | 53 02 R423B |
| <input type="checkbox"/> Matt Black | 53 13 R423B |
| <input type="checkbox"/> Polished Nickel PVD | 53 95 R423B |
| <input type="checkbox"/> Matt Gun Metal PVD | 53 P5 R423B |
| <input type="checkbox"/> Matt British Gold PVD | 53 P6 R423B |
| <input type="checkbox"/> Matt Copper PVD | 53 P9 R423B |
| <input type="checkbox"/> Deep Black PVD | 53 S1 R423B |
| <input type="checkbox"/> Mokka PVD | 53 S5 R423B |
| <input type="checkbox"/> Brushed Steel Look PVD | 53 92 R423B |
| <input type="checkbox"/> Pure Brass PVD | 53 Q7 R423B |
| <input type="checkbox"/> Raw Metal PVD | 53 Q8 R423B |

Built-in piece

- | | |
|--------------------------|-------------|
| <input type="checkbox"/> | 44 00 M623A |
|--------------------------|-------------|

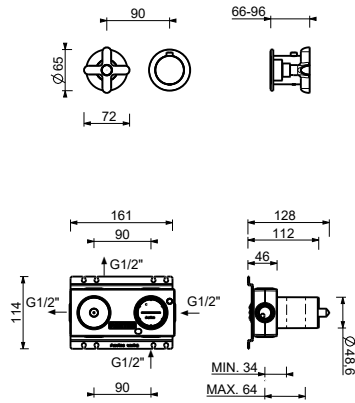
TOTAL PRICE

- | | |
|---|-------------|
| <input type="checkbox"/> Chrome | 53 02 R423B |
| <input type="checkbox"/> Matt Black | 53 13 R423B |
| <input type="checkbox"/> Polished Nickel PVD | 53 95 R423B |
| <input type="checkbox"/> Matt Gun Metal PVD | 53 P5 R423B |
| <input type="checkbox"/> Matt British Gold PVD | 53 P6 R423B |
| <input type="checkbox"/> Matt Copper PVD | 53 P9 R423B |
| <input type="checkbox"/> Deep Black PVD | 53 S1 R423B |
| <input type="checkbox"/> Mokka PVD | 53 S5 R423B |
| <input type="checkbox"/> Brushed Steel Look PVD | 53 92 R423B |
| <input type="checkbox"/> Pure Brass PVD | 53 Q7 R423B |
| <input type="checkbox"/> Raw Metal PVD | 53 Q8 R423B |

ICONA CLASSIC

ART. R423B+M623A

1/2" built-in thermostatic shower mixer



Way number 1

Pressure(bar)	Flow rate (l/min)
0.5	8.44
1	11.87
2	16.79
3	20.5
4	23.76

Way number 2

Pressure(bar)	Flow rate (l/min)
0.5	7.45
1	10.47
2	14.59
3	17.9
4	20.7