



ART. H700B+H500A

Miscelatore termostatico doccia incasso 3/4"

- maniglia
- ingressi da 1/2"
- isolamento acustico
- senza rubinetto di arresto da ordinare separatamente

N.B. Il miscelatore deve essere sempre ordinato con il rubinetto di arresto o con i deviatori con chiusura

Data

Progetto/Note

Parte esterna

- | | |
|---|-------------|
| <input type="checkbox"/> Cromo | 87 02 H700B |
| <input type="checkbox"/> Nero Opaco | 87 13 H700B |
| <input type="checkbox"/> Polished Nickel PVD | 87 95 H700B |
| <input type="checkbox"/> Matt Gun Metal PVD | 87 P5 H700B |
| <input type="checkbox"/> Matt British Gold PVD | 87 P6 H700B |
| <input type="checkbox"/> Matt Copper PVD | 87 P9 H700B |
| <input type="checkbox"/> Deep Black PVD | 87 S1 H700B |
| <input type="checkbox"/> Mokka PVD | 87 S5 H700B |
| <input type="checkbox"/> Brushed Steel Look PVD | 87 92 H700B |
| <input type="checkbox"/> Pure Brass PVD | 87 Q7 H700B |
| <input type="checkbox"/> Raw Metal PVD | 87 Q8 H700B |

Parte da incasso

- | | |
|--------------------------|-------------|
| <input type="checkbox"/> | 44 00 H500A |
|--------------------------|-------------|

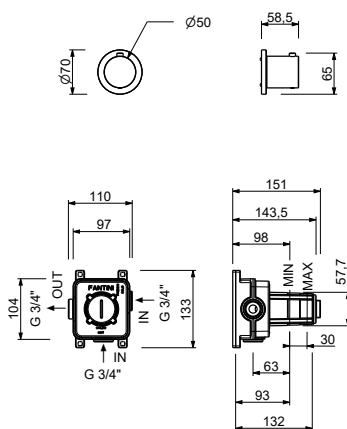
Prezzo totale

- | | |
|---|-------------|
| <input type="checkbox"/> Cromo | 87 02 H700B |
| <input type="checkbox"/> Nero Opaco | 87 13 H700B |
| <input type="checkbox"/> Polished Nickel PVD | 87 95 H700B |
| <input type="checkbox"/> Matt Gun Metal PVD | 87 P5 H700B |
| <input type="checkbox"/> Matt British Gold PVD | 87 P6 H700B |
| <input type="checkbox"/> Matt Copper PVD | 87 P9 H700B |
| <input type="checkbox"/> Deep Black PVD | 87 S1 H700B |
| <input type="checkbox"/> Mokka PVD | 87 S5 H700B |
| <input type="checkbox"/> Brushed Steel Look PVD | 87 92 H700B |
| <input type="checkbox"/> Pure Brass PVD | 87 Q7 H700B |
| <input type="checkbox"/> Raw Metal PVD | 87 Q8 H700B |

ICONA CLASSIC

ART. H700B+H500A

Miscelatore termostatico doccia incasso 3/4"



USCITA 1

Pressione(bar)	Portata (l/min)
0.5	11.5
1	16.48
2	23.36
3	28.69
4	33.3