



ART. H700B+H500A

3/4" built-in thermostatic shower mixer

- handle
- 1/2" inlets
- soundproof
- without stop valve to be ordered separately

N.B. The mixer must always be purchased with a 3/4" or 1/2" shut-off valve

Date _____

Project/Comments: _____

External piece

- | | |
|---|-------------|
| <input type="checkbox"/> Chrome | 87 02 H700B |
| <input type="checkbox"/> Matt Black | 87 13 H700B |
| <input type="checkbox"/> Polished Nickel PVD | 87 95 H700B |
| <input type="checkbox"/> Matt Gun Metal PVD | 87 P5 H700B |
| <input type="checkbox"/> Matt British Gold PVD | 87 P6 H700B |
| <input type="checkbox"/> Matt Copper PVD | 87 P9 H700B |
| <input type="checkbox"/> Deep Black PVD | 87 S1 H700B |
| <input type="checkbox"/> Mokka PVD | 87 S5 H700B |
| <input type="checkbox"/> Brushed Steel Look PVD | 87 92 H700B |
| <input type="checkbox"/> Pure Brass PVD | 87 Q7 H700B |
| <input type="checkbox"/> Raw Metal PVD | 87 Q8 H700B |

Built-in piece

- | | |
|--------------------------|-------------|
| <input type="checkbox"/> | 44 00 H500A |
|--------------------------|-------------|

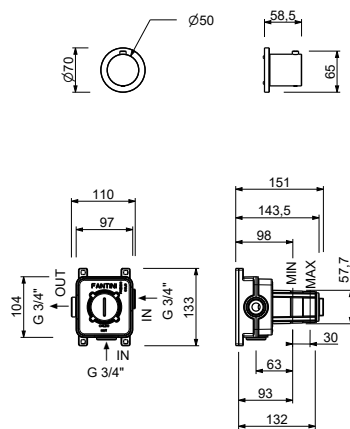
TOTAL PRICE

- | | |
|---|-------------|
| <input type="checkbox"/> Chrome | 87 02 H700B |
| <input type="checkbox"/> Matt Black | 87 13 H700B |
| <input type="checkbox"/> Polished Nickel PVD | 87 95 H700B |
| <input type="checkbox"/> Matt Gun Metal PVD | 87 P5 H700B |
| <input type="checkbox"/> Matt British Gold PVD | 87 P6 H700B |
| <input type="checkbox"/> Matt Copper PVD | 87 P9 H700B |
| <input type="checkbox"/> Deep Black PVD | 87 S1 H700B |
| <input type="checkbox"/> Mokka PVD | 87 S5 H700B |
| <input type="checkbox"/> Brushed Steel Look PVD | 87 92 H700B |
| <input type="checkbox"/> Pure Brass PVD | 87 Q7 H700B |
| <input type="checkbox"/> Raw Metal PVD | 87 Q8 H700B |

ICONA CLASSIC

ART. H700B+H500A

3/4" built-in thermostatic shower mixer



Way number 1

Pressure(bar)	Flow rate (l/min)
0.5	11.5
1	16.48
2	23.36
3	28.69
4	33.3