



ART. H700B+H500A

3/4" UP-Thermostatbrausemischer

- Griff
- 1/2" Eingänge
- Schallschutz
- ohne Absperrventil, muss separat dazu bestellt werden

HINWEIS: Der Mischer muss immer mit einem 3/4"- oder 1/2"-Absperrventil bestellt werden

Datum

Project/Kommentar

AP-Teil

- | | |
|---|-------------|
| <input type="checkbox"/> Chrom | 87 02 H700B |
| <input type="checkbox"/> Schwarz matt | 87 13 H700B |
| <input type="checkbox"/> Polished Nickel PVD | 87 95 H700B |
| <input type="checkbox"/> Matt Gun Metal PVD | 87 P5 H700B |
| <input type="checkbox"/> Matt British Gold PVD | 87 P6 H700B |
| <input type="checkbox"/> Matt Copper PVD | 87 P9 H700B |
| <input type="checkbox"/> Deep Black PVD | 87 S1 H700B |
| <input type="checkbox"/> Mokka PVD | 87 S5 H700B |
| <input type="checkbox"/> Brushed Steel Look PVD | 87 92 H700B |
| <input type="checkbox"/> Pure Brass PVD | 87 Q7 H700B |
| <input type="checkbox"/> Raw Metal PVD | 87 Q8 H700B |

UP-Teil

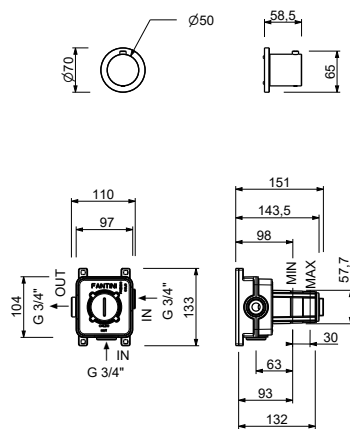
- | | |
|--------------------------|-------------|
| <input type="checkbox"/> | 44 00 H500A |
|--------------------------|-------------|

GESAMTPREIS

- | | |
|---|-------------|
| <input type="checkbox"/> Chrom | 87 02 H700B |
| <input type="checkbox"/> Schwarz matt | 87 13 H700B |
| <input type="checkbox"/> Polished Nickel PVD | 87 95 H700B |
| <input type="checkbox"/> Matt Gun Metal PVD | 87 P5 H700B |
| <input type="checkbox"/> Matt British Gold PVD | 87 P6 H700B |
| <input type="checkbox"/> Matt Copper PVD | 87 P9 H700B |
| <input type="checkbox"/> Deep Black PVD | 87 S1 H700B |
| <input type="checkbox"/> Mokka PVD | 87 S5 H700B |
| <input type="checkbox"/> Brushed Steel Look PVD | 87 92 H700B |
| <input type="checkbox"/> Pure Brass PVD | 87 Q7 H700B |
| <input type="checkbox"/> Raw Metal PVD | 87 Q8 H700B |

ICONA CLASSIC

ART. H700B+H500A
3/4" UP-Thermostatbrauseemischer



Abgang Nummer 1

Wasserdruck(bar)	Durchfluss (l/min)
0.5	11.5
1	16.48
2	23.36
3	28.69
4	33.3