

ART. H790B+H590A

Stop valve

- ON/OFF button with flow rate adjustment Screen-printing on showerhead
- soundproof
- for horizontal and vertical installation
- 1/2" inlets

Date

Project/Comments:

External piece

<input type="checkbox"/> Chrome	87 02 H790B
<input type="checkbox"/> Polished Nickel PVD	87 95 H790B
<input type="checkbox"/> Matt Gun Metal PVD	87 P5 H790B
<input type="checkbox"/> Matt British Gold PVD	87 P6 H790B
<input type="checkbox"/> Matt Copper PVD	87 P9 H790B
<input type="checkbox"/> Deep Black PVD	87 S1 H790B
<input type="checkbox"/> Mokka PVD	87 S5 H790B
<input type="checkbox"/> Brushed Steel Look PVD	87 92 H790B
<input type="checkbox"/> Pure Brass PVD	87 Q7 H790B
<input type="checkbox"/> Raw Metal PVD	87 Q8 H790B

Built-in piece

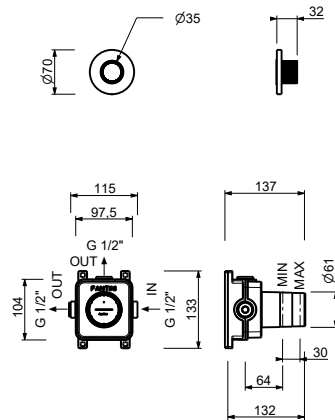
<input type="checkbox"/>	44 00 H590A
--------------------------	-------------

TOTAL PRICE

<input type="checkbox"/> Chrome	87 02 H790B
<input type="checkbox"/> Polished Nickel PVD	87 95 H790B
<input type="checkbox"/> Matt Gun Metal PVD	87 P5 H790B
<input type="checkbox"/> Matt British Gold PVD	87 P6 H790B
<input type="checkbox"/> Matt Copper PVD	87 P9 H790B
<input type="checkbox"/> Deep Black PVD	87 S1 H790B
<input type="checkbox"/> Mokka PVD	87 S5 H790B
<input type="checkbox"/> Brushed Steel Look PVD	87 92 H790B
<input type="checkbox"/> Pure Brass PVD	87 Q7 H790B
<input type="checkbox"/> Raw Metal PVD	87 Q8 H790B

ICONA CLASSIC

ART. H790B+H590A
Stop valve



Way number 1

Pressure(bar)	Flow rate (l/min)
0.5	4.48
1	14.23
2	21.17
3	26.38
4	30.71