



## ART. H791B+H590A

### Stop valve

- ON/OFF button with flow rate adjustment Screen-printing on handshower
- soundproof
- for horizontal and vertical installation
- 1/2" inlets

### Date

### Project/Comments:

---



---



---



---



---



---



---

#### External piece

<input type="checkbox"/> Chrome	87 02 H791B
<input type="checkbox"/> Polished Nickel PVD	87 95 H791B
<input type="checkbox"/> Matt Gun Metal PVD	87 P5 H791B
<input type="checkbox"/> Matt British Gold PVD	87 P6 H791B
<input type="checkbox"/> Matt Copper PVD	87 P9 H791B
<input type="checkbox"/> Deep Black PVD	87 S1 H791B
<input type="checkbox"/> Mokka PVD	87 S5 H791B
<input type="checkbox"/> Brushed Steel Look PVD	87 92 H791B
<input type="checkbox"/> Pure Brass PVD	87 Q7 H791B
<input type="checkbox"/> Raw Metal PVD	87 Q8 H791B

#### Built-in piece

<input type="checkbox"/>	44 00 H590A
--------------------------	-------------

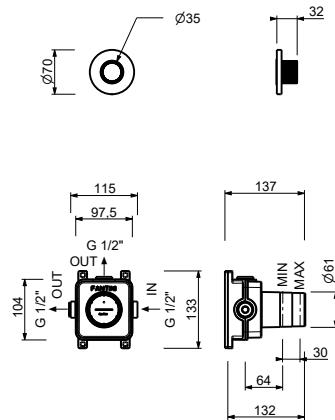
#### TOTAL PRICE

<input type="checkbox"/> Chrome	87 02 H791B
<input type="checkbox"/> Polished Nickel PVD	87 95 H791B
<input type="checkbox"/> Matt Gun Metal PVD	87 P5 H791B
<input type="checkbox"/> Matt British Gold PVD	87 P6 H791B
<input type="checkbox"/> Matt Copper PVD	87 P9 H791B
<input type="checkbox"/> Deep Black PVD	87 S1 H791B
<input type="checkbox"/> Mokka PVD	87 S5 H791B
<input type="checkbox"/> Brushed Steel Look PVD	87 92 H791B
<input type="checkbox"/> Pure Brass PVD	87 Q7 H791B
<input type="checkbox"/> Raw Metal PVD	87 Q8 H791B

# ICONA CLASSIC

ART. H791B+H590A

Stop valve



## Way number 1

Pressure(bar)	Flow rate (l/min)
0.5	4.48
1	14.23
2	21.17
3	26.38
4	30.71