



ART. H791B+H590A

Absperrentil

- ON/OFF-Taste mit Durchflussregelung Siebdruck von Handbrause
- Schallschutz
- für horizontale und vertikale Installation
- 1/2" Eingänge

Datum

Project/Kommentar

AP-Teil

- | | |
|---|-------------|
| <input type="checkbox"/> Chrom | 87 02 H791B |
| <input type="checkbox"/> Polished Nickel PVD | 87 95 H791B |
| <input type="checkbox"/> Matt Gun Metal PVD | 87 P5 H791B |
| <input type="checkbox"/> Matt British Gold PVD | 87 P6 H791B |
| <input type="checkbox"/> Matt Copper PVD | 87 P9 H791B |
| <input type="checkbox"/> Deep Black PVD | 87 S1 H791B |
| <input type="checkbox"/> Mokka PVD | 87 S5 H791B |
| <input type="checkbox"/> Brushed Steel Look PVD | 87 92 H791B |
| <input type="checkbox"/> Pure Brass PVD | 87 Q7 H791B |
| <input type="checkbox"/> Raw Metal PVD | 87 Q8 H791B |

UP-Teil

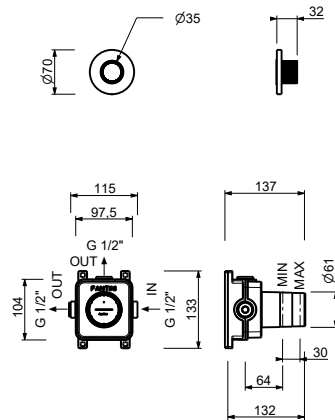
- | | |
|--------------------------|-------------|
| <input type="checkbox"/> | 44 00 H590A |
|--------------------------|-------------|

GESAMTPREIS

- | | |
|---|-------------|
| <input type="checkbox"/> Chrom | 87 02 H791B |
| <input type="checkbox"/> Polished Nickel PVD | 87 95 H791B |
| <input type="checkbox"/> Matt Gun Metal PVD | 87 P5 H791B |
| <input type="checkbox"/> Matt British Gold PVD | 87 P6 H791B |
| <input type="checkbox"/> Matt Copper PVD | 87 P9 H791B |
| <input type="checkbox"/> Deep Black PVD | 87 S1 H791B |
| <input type="checkbox"/> Mokka PVD | 87 S5 H791B |
| <input type="checkbox"/> Brushed Steel Look PVD | 87 92 H791B |
| <input type="checkbox"/> Pure Brass PVD | 87 Q7 H791B |
| <input type="checkbox"/> Raw Metal PVD | 87 Q8 H791B |

ICONA CLASSIC

ART. H791B+H590A
Absperventil



Abgang Nummer 1

Wasserdruck(bar)	Durchfluss (l/min)
0.5	4.48
1	14.23
2	21.17
3	26.38
4	30.71