



ART. H791B+H590A

Llave de paso

- botón ON/OFF con regulación de caudal serigrafía de la ducha de mano
- aislamiento acústico
- Para instalación horizontal y vertical
- entradas de 1/2"

Fecha

Proyecto/Comentarios

Parte externa

- | | |
|---|-------------|
| <input type="checkbox"/> Cromo | 87 02 H791B |
| <input type="checkbox"/> Polished Nickel PVD | 87 95 H791B |
| <input type="checkbox"/> Matt Gun Metal PVD | 87 P5 H791B |
| <input type="checkbox"/> Matt British Gold PVD | 87 P6 H791B |
| <input type="checkbox"/> Matt Copper PVD | 87 P9 H791B |
| <input type="checkbox"/> Deep Black PVD | 87 S1 H791B |
| <input type="checkbox"/> Mokka PVD | 87 S5 H791B |
| <input type="checkbox"/> Brushed Steel Look PVD | 87 92 H791B |
| <input type="checkbox"/> Pure Brass PVD | 87 Q7 H791B |
| <input type="checkbox"/> Raw Metal PVD | 87 Q8 H791B |

Parte empotrable

- | | |
|--------------------------|-------------|
| <input type="checkbox"/> | 44 00 H590A |
|--------------------------|-------------|

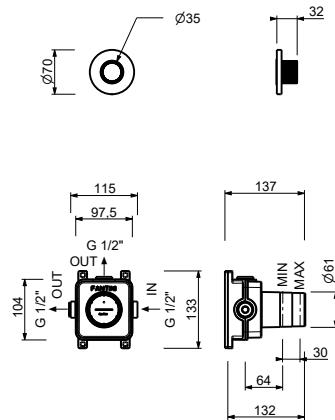
PRECIO TOTAL

- | | |
|---|-------------|
| <input type="checkbox"/> Cromo | 87 02 H791B |
| <input type="checkbox"/> Polished Nickel PVD | 87 95 H791B |
| <input type="checkbox"/> Matt Gun Metal PVD | 87 P5 H791B |
| <input type="checkbox"/> Matt British Gold PVD | 87 P6 H791B |
| <input type="checkbox"/> Matt Copper PVD | 87 P9 H791B |
| <input type="checkbox"/> Deep Black PVD | 87 S1 H791B |
| <input type="checkbox"/> Mokka PVD | 87 S5 H791B |
| <input type="checkbox"/> Brushed Steel Look PVD | 87 92 H791B |
| <input type="checkbox"/> Pure Brass PVD | 87 Q7 H791B |
| <input type="checkbox"/> Raw Metal PVD | 87 Q8 H791B |

ICONA CLASSIC

ART. H791B+H590A

Llave de paso



Salida 1

Presión(bar)	Caudal (l/min)
0.5	4.48
1	14.23
2	21.17
3	26.38
4	30.71