



ART. H792B+H590A

Absperrenteil

- ON/OFF-Taste mit Durchflussregelung AUX-Siebdruck
- Schallschutz
- für horizontale und vertikale Installation
- 1/2" Eingänge

Datum

Project/Kommentar

AP-Teil

- | | | |
|--------------------------|------------------------|-------------|
| <input type="checkbox"/> | Chrom | 87 02 H792B |
| <input type="checkbox"/> | Polished Nickel PVD | 87 95 H792B |
| <input type="checkbox"/> | Matt Gun Metal PVD | 87 P5 H792B |
| <input type="checkbox"/> | Matt British Gold PVD | 87 P6 H792B |
| <input type="checkbox"/> | Matt Copper PVD | 87 P9 H792B |
| <input type="checkbox"/> | Deep Black PVD | 87 S1 H792B |
| <input type="checkbox"/> | Mokka PVD | 87 S5 H792B |
| <input type="checkbox"/> | Brushed Steel Look PVD | 87 92 H792B |
| <input type="checkbox"/> | Pure Brass PVD | 87 Q7 H792B |
| <input type="checkbox"/> | Raw Metal PVD | 87 Q8 H792B |

UP-Teil

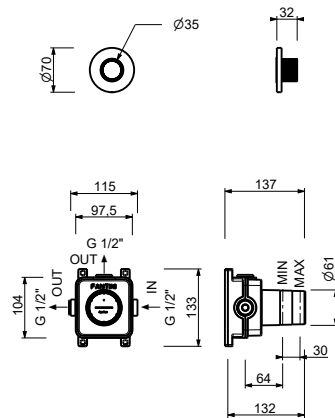
- | | |
|--------------------------|-------------|
| <input type="checkbox"/> | 44 00 H590A |
|--------------------------|-------------|

GESAMTPREIS

- | | | |
|--------------------------|------------------------|-------------|
| <input type="checkbox"/> | Chrom | 87 02 H792B |
| <input type="checkbox"/> | Polished Nickel PVD | 87 95 H792B |
| <input type="checkbox"/> | Matt Gun Metal PVD | 87 P5 H792B |
| <input type="checkbox"/> | Matt British Gold PVD | 87 P6 H792B |
| <input type="checkbox"/> | Matt Copper PVD | 87 P9 H792B |
| <input type="checkbox"/> | Deep Black PVD | 87 S1 H792B |
| <input type="checkbox"/> | Mokka PVD | 87 S5 H792B |
| <input type="checkbox"/> | Brushed Steel Look PVD | 87 92 H792B |
| <input type="checkbox"/> | Pure Brass PVD | 87 Q7 H792B |
| <input type="checkbox"/> | Raw Metal PVD | 87 Q8 H792B |

ICONA CLASSIC

ART. H792B+H590A
Absperrventil



Abgang Nummer 1

Wasserdruck(bar)	Durchfluss (l/min)
0.5	4.48
1	14.23
2	21.17
3	26.38
4	30.71