



ART. H792B+H590A

Llave de paso

- botón ON/OFF con regulación de caudal serigrafía AUX
- aislamiento acústico
- Para instalación horizontal y vertical
- entradas de 1/2"

Fecha

Proyecto/Comentarios

Parte externa

- | | | |
|--------------------------|------------------------|-------------|
| <input type="checkbox"/> | Cromo | 87 02 H792B |
| <input type="checkbox"/> | Polished Nickel PVD | 87 95 H792B |
| <input type="checkbox"/> | Matt Gun Metal PVD | 87 P5 H792B |
| <input type="checkbox"/> | Matt British Gold PVD | 87 P6 H792B |
| <input type="checkbox"/> | Matt Copper PVD | 87 P9 H792B |
| <input type="checkbox"/> | Deep Black PVD | 87 S1 H792B |
| <input type="checkbox"/> | Mokka PVD | 87 S5 H792B |
| <input type="checkbox"/> | Brushed Steel Look PVD | 87 92 H792B |
| <input type="checkbox"/> | Pure Brass PVD | 87 Q7 H792B |
| <input type="checkbox"/> | Raw Metal PVD | 87 Q8 H792B |

Parte empotrable

- | | | |
|--------------------------|--|-------------|
| <input type="checkbox"/> | | 44 00 H590A |
|--------------------------|--|-------------|

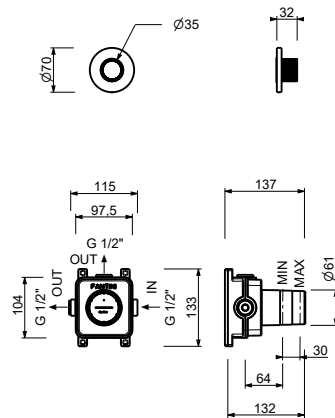
PRECIO TOTAL

- | | | |
|--------------------------|------------------------|-------------|
| <input type="checkbox"/> | Cromo | 87 02 H792B |
| <input type="checkbox"/> | Polished Nickel PVD | 87 95 H792B |
| <input type="checkbox"/> | Matt Gun Metal PVD | 87 P5 H792B |
| <input type="checkbox"/> | Matt British Gold PVD | 87 P6 H792B |
| <input type="checkbox"/> | Matt Copper PVD | 87 P9 H792B |
| <input type="checkbox"/> | Deep Black PVD | 87 S1 H792B |
| <input type="checkbox"/> | Mokka PVD | 87 S5 H792B |
| <input type="checkbox"/> | Brushed Steel Look PVD | 87 92 H792B |
| <input type="checkbox"/> | Pure Brass PVD | 87 Q7 H792B |
| <input type="checkbox"/> | Raw Metal PVD | 87 Q8 H792B |

ICONA CLASSIC

ART. H792B+H590A

Llave de paso



Salida 1

Presión(bar)	Caudal (l/min)
0.5	4.48
1	14.23
2	21.17
3	26.38
4	30.71