



ART. G485B+M585A

Built-in shower mixer

- handles
- with plate
- 2-way diverter with turning knob
- 1/2" inlets
- soundproof
- for vertical installation only

Date _____

Project/Comments: _____

External piece

<input type="checkbox"/> Chrome	50 02 G485B
<input type="checkbox"/> Matt Black	50 13 G485B
<input type="checkbox"/> Matt White	50 29 G485B
<input type="checkbox"/> Matt Gun Metal PVD	50 P5 G485B
<input type="checkbox"/> Matt British Gold PVD	50 P6 G485B
<input type="checkbox"/> Matt Copper PVD	50 P9 G485B
<input type="checkbox"/> Deep Black PVD	50 S1 G485B
<input type="checkbox"/> Mokka PVD	50 S5 G485B
<input type="checkbox"/> Pure Brass PVD	50 Q7 G485B
<input type="checkbox"/> Raw Metal PVD	50 Q8 G485B
<input type="checkbox"/> Brushed Stainless Steel	50 93 G485B

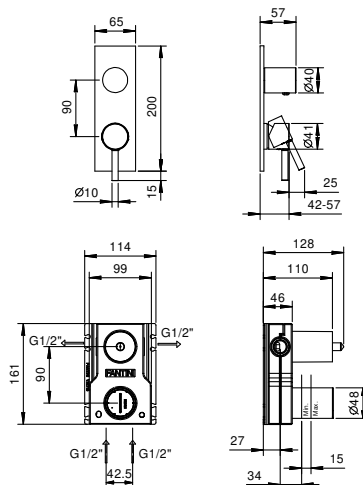
Built-in piece

<input type="checkbox"/>	44 00 M585A
--------------------------	-------------

TOTAL PRICE

<input type="checkbox"/> Chrome	50 02 G485B
<input type="checkbox"/> Matt Black	50 13 G485B
<input type="checkbox"/> Matt White	50 29 G485B
<input type="checkbox"/> Matt Gun Metal PVD	50 P5 G485B
<input type="checkbox"/> Matt British Gold PVD	50 P6 G485B
<input type="checkbox"/> Matt Copper PVD	50 P9 G485B
<input type="checkbox"/> Deep Black PVD	50 S1 G485B
<input type="checkbox"/> Mokka PVD	50 S5 G485B
<input type="checkbox"/> Pure Brass PVD	50 Q7 G485B
<input type="checkbox"/> Raw Metal PVD	50 Q8 G485B
<input type="checkbox"/> Brushed Stainless Steel	50 93 G485B

NOSTROMO

ART. G485B+M585A
 Built-in shower mixer

Way number 1

Pressure(bar)	Flow rate (l/min)
0.5	8.44
1	11.87
2	16.79
3	20.5
4	23.76

Way number 2

Pressure(bar)	Flow rate (l/min)
0.5	7.45
1	10.47
2	14.59
3	17.9
4	20.7