



ART. G487B+M587A

Built-in shower mixer

- handles
- with plate
- 3-way diverter with turning knob
- 1/2" inlets
- soundproof
- for vertical installation only

Date _____

Project/Comments: _____

External piece

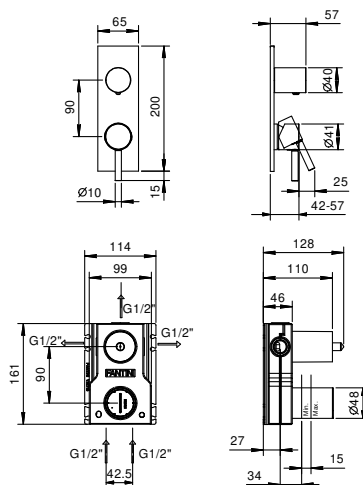
<input type="checkbox"/> Chrome	50 02 G487B
<input type="checkbox"/> Matt Black	50 13 G487B
<input type="checkbox"/> Matt White	50 29 G487B
<input type="checkbox"/> Matt Gun Metal PVD	50 P5 G487B
<input type="checkbox"/> Matt British Gold PVD	50 P6 G487B
<input type="checkbox"/> Matt Copper PVD	50 P9 G487B
<input type="checkbox"/> Deep Black PVD	50 S1 G487B
<input type="checkbox"/> Mokka PVD	50 S5 G487B
<input type="checkbox"/> Pure Brass PVD	50 Q7 G487B
<input type="checkbox"/> Raw Metal PVD	50 Q8 G487B
<input type="checkbox"/> Brushed Stainless Steel	50 93 G487B

Built-in piece

<input type="checkbox"/>	44 00 M587A
--------------------------	-------------

TOTAL PRICE

<input type="checkbox"/> Chrome	50 02 G487B
<input type="checkbox"/> Matt Black	50 13 G487B
<input type="checkbox"/> Matt White	50 29 G487B
<input type="checkbox"/> Matt Gun Metal PVD	50 P5 G487B
<input type="checkbox"/> Matt British Gold PVD	50 P6 G487B
<input type="checkbox"/> Matt Copper PVD	50 P9 G487B
<input type="checkbox"/> Deep Black PVD	50 S1 G487B
<input type="checkbox"/> Mokka PVD	50 S5 G487B
<input type="checkbox"/> Pure Brass PVD	50 Q7 G487B
<input type="checkbox"/> Raw Metal PVD	50 Q8 G487B
<input type="checkbox"/> Brushed Stainless Steel	50 93 G487B

ART. G487B+M587A
 Built-in shower mixer

Way number 1

Pressure(bar)	Flow rate (l/min)
0.5	9.25
1	12.87
2	18.34
3	22.32
4	25.59

Way number 2

Pressure(bar)	Flow rate (l/min)
0.5	7.81
1	10.87
2	15.31
3	18.62
4	21.55

Way number 3

Pressure(bar)	Flow rate (l/min)
0.5	8.14
1	11.34
2	15.99
3	19.42
4	22.43