

ART. G572B+D372A

3/4" UP-Thermostatbrausemischer

- Griffe
- Drehumsteller 2-Wege mit Absperrung
- nur für horizontale Montage
- 3/4" Eingänge

Datum

Project/Kommentar

AP-Teil

- | | | |
|--------------------------|----------------------------|-------------|
| <input type="checkbox"/> | Chrom | 87 02 G572B |
| <input type="checkbox"/> | Schwarz matt | 87 13 G572B |
| <input type="checkbox"/> | Weiß matt | 87 29 G572B |
| <input type="checkbox"/> | Matt Gun Metal PVD | 87 P5 G572B |
| <input type="checkbox"/> | Matt British Gold PVD | 87 P6 G572B |
| <input type="checkbox"/> | Matt Copper PVD | 87 P9 G572B |
| <input type="checkbox"/> | Deep Black PVD | 87 S1 G572B |
| <input type="checkbox"/> | Mokka PVD | 87 S5 G572B |
| <input type="checkbox"/> | Pure Brass PVD | 87 Q7 G572B |
| <input type="checkbox"/> | Raw Metal PVD | 87 Q8 G572B |
| <input type="checkbox"/> | Edelstahl gebürstet | 87 93 G572B |

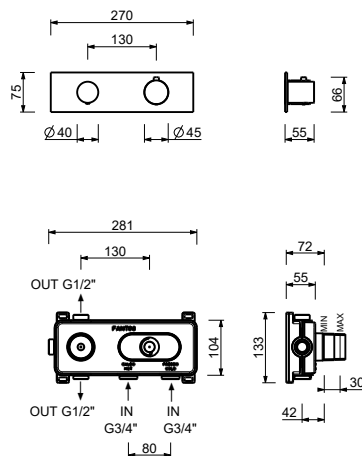
UP-Teil

- | | | |
|--------------------------|--|-------------|
| <input type="checkbox"/> | | 19 00 D372A |
|--------------------------|--|-------------|

GESAMTPREIS

- | | | |
|--------------------------|-----------------------|-------------|
| <input type="checkbox"/> | Chrom | 87 02 G572B |
| <input type="checkbox"/> | Schwarz matt | 87 13 G572B |
| <input type="checkbox"/> | Weiß matt | 87 29 G572B |
| <input type="checkbox"/> | Matt Gun Metal PVD | 87 P5 G572B |
| <input type="checkbox"/> | Matt British Gold PVD | 87 P6 G572B |
| <input type="checkbox"/> | Matt Copper PVD | 87 P9 G572B |
| <input type="checkbox"/> | Deep Black PVD | 87 S1 G572B |
| <input type="checkbox"/> | Mokka PVD | 87 S5 G572B |
| <input type="checkbox"/> | Pure Brass PVD | 87 Q7 G572B |
| <input type="checkbox"/> | Raw Metal PVD | 87 Q8 G572B |
| <input type="checkbox"/> | Edelstahl gebürstet | 87 93 G572B |

ART. G572B+D372A
3/4" UP-Thermostatbrausemischer



Abgang Nummer 1

Wasserdruck(bar)	Durchfluss (l/min)
0.5	8.86
1	12.53
2	17.57
3	21.63
4	25.02

Abgang Nummer 2

Wasserdruck(bar)	Durchfluss (l/min)
0.5	7.91
1	11.03
2	15.47
3	19.01
4	21.98