



ART. G573B+D373A

3/4" UP-Thermostatbrausemischer

- Griffe
- Drehumsteller 3-Wege mit Absperrung
- nur für horizontale Montage
- 3/4" Eingänge

Datum

Project/Kommentar

AP-Teil

- | | |
|-----------------------------------------------------|-------------|
| <input type="checkbox"/> Chrom | 87 02 G573B |
| <input type="checkbox"/> Schwarz matt | 87 13 G573B |
| <input type="checkbox"/> Weiß matt | 87 29 G573B |
| <input type="checkbox"/> Matt Gun Metal PVD | 87 P5 G573B |
| <input type="checkbox"/> Matt British Gold PVD | 87 P6 G573B |
| <input type="checkbox"/> Matt Copper PVD | 87 P9 G573B |
| <input type="checkbox"/> Deep Black PVD | 87 S1 G573B |
| <input type="checkbox"/> Mokka PVD | 87 S5 G573B |
| <input type="checkbox"/> Pure Brass PVD | 87 Q7 G573B |
| <input type="checkbox"/> Raw Metal PVD | 87 Q8 G573B |
| <input type="checkbox"/> Edelstahl gebürstet | 87 93 G573B |

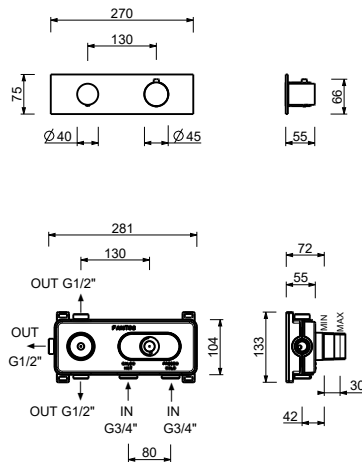
UP-Teil

- | | |
|--------------------------|-------------|
| <input type="checkbox"/> | 19 00 D373A |
|--------------------------|-------------|

GESAMTPREIS

- | | |
|------------------------------------------------|-------------|
| <input type="checkbox"/> Chrom | 87 02 G573B |
| <input type="checkbox"/> Schwarz matt | 87 13 G573B |
| <input type="checkbox"/> Weiß matt | 87 29 G573B |
| <input type="checkbox"/> Matt Gun Metal PVD | 87 P5 G573B |
| <input type="checkbox"/> Matt British Gold PVD | 87 P6 G573B |
| <input type="checkbox"/> Matt Copper PVD | 87 P9 G573B |
| <input type="checkbox"/> Deep Black PVD | 87 S1 G573B |
| <input type="checkbox"/> Mokka PVD | 87 S5 G573B |
| <input type="checkbox"/> Pure Brass PVD | 87 Q7 G573B |
| <input type="checkbox"/> Raw Metal PVD | 87 Q8 G573B |
| <input type="checkbox"/> Edelstahl gebürstet | 87 93 G573B |

ART. G573B+D373A
3/4" UP-Thermostatbrausemischer



Abgang Nummer 1

Wasserdruck(bar)	Durchfluss (l/min)
0.5	8.86
1	12.53
2	17.57
3	21.63
4	25.02

Abgang Nummer 2

Wasserdruck(bar)	Durchfluss (l/min)
0.5	7.91
1	11.03
2	15.47
3	19.01
4	21.98

Abgang Nummer 3

Wasserdruck(bar)	Durchfluss (l/min)
0.5	7.6
1	10.79
2	15.43
3	18.87
4	21.91