

## ART. G489B+M687A

### Built-in shower mixer

- handles
- with rosaces
- 3-way diverter with turning knob
- 1/2" inlets
- soundproof
- for horizontal installation only

Date \_\_\_\_\_

Project/Comments: \_\_\_\_\_

\_\_\_\_\_

\_\_\_\_\_

\_\_\_\_\_

\_\_\_\_\_

\_\_\_\_\_

\_\_\_\_\_

### External piece

<input type="checkbox"/> Chrome	50 02 G489B
<input type="checkbox"/> Matt Black	50 13 G489B
<input type="checkbox"/> Matt White	50 29 G489B
<input type="checkbox"/> Matt Gun Metal PVD	50 P5 G489B
<input type="checkbox"/> Matt British Gold PVD	50 P6 G489B
<input type="checkbox"/> Matt Copper PVD	50 P9 G489B
<input type="checkbox"/> Deep Black PVD	50 S1 G489B
<input type="checkbox"/> Mokka PVD	50 S5 G489B
<input type="checkbox"/> Pure Brass PVD	50 Q7 G489B
<input type="checkbox"/> Raw Metal PVD	50 Q8 G489B
<input type="checkbox"/> <b>Brushed Stainless Steel</b>	50 93 G489B

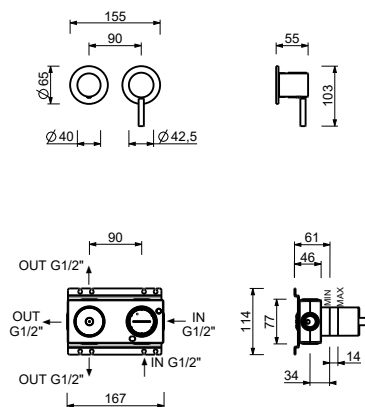
### Built-in piece

<input type="checkbox"/>	44 00 M687A
--------------------------	-------------

### TOTAL PRICE

<input type="checkbox"/> Chrome	50 02 G489B
<input type="checkbox"/> Matt Black	50 13 G489B
<input type="checkbox"/> Matt White	50 29 G489B
<input type="checkbox"/> Matt Gun Metal PVD	50 P5 G489B
<input type="checkbox"/> Matt British Gold PVD	50 P6 G489B
<input type="checkbox"/> Matt Copper PVD	50 P9 G489B
<input type="checkbox"/> Deep Black PVD	50 S1 G489B
<input type="checkbox"/> Mokka PVD	50 S5 G489B
<input type="checkbox"/> Pure Brass PVD	50 Q7 G489B
<input type="checkbox"/> Raw Metal PVD	50 Q8 G489B
<input type="checkbox"/> Brushed Stainless Steel	50 93 G489B

**ART. G489B+M687A**  
Built-in shower mixer



**Way number 1**

Pressure(bar)	Flow rate (l/min)
0.5	8.36
1	11.39
2	15.95
3	19.53
4	22.52

**Way number 2**

Pressure(bar)	Flow rate (l/min)
0.5	7.53
1	10.86
2	15.27
3	18.63
4	21.49

**Way number 3**

Pressure(bar)	Flow rate (l/min)
0.5	7.36
1	10.17
2	14.28
3	17.38
4	20.08