



ART. G423B+M523A

1/2" built-in thermostatic shower mixer

- handles
- with rosaces
- 2-way diverter with turning knob
- 1/2" inlets
- soundproof
- for vertical installation only

Date _____

Project/Comments: _____

External piece

<input type="checkbox"/> Chrome	87 02 G423B
<input type="checkbox"/> Matt Black	87 13 G423B
<input type="checkbox"/> Matt White	87 29 G423B
<input type="checkbox"/> Matt Gun Metal PVD	87 P5 G423B
<input type="checkbox"/> Matt British Gold PVD	87 P6 G423B
<input type="checkbox"/> Matt Copper PVD	87 P9 G423B
<input type="checkbox"/> Deep Black PVD	87 S1 G423B
<input type="checkbox"/> Mokka PVD	87 S5 G423B
<input type="checkbox"/> Pure Brass PVD	87 Q7 G423B
<input type="checkbox"/> Raw Metal PVD	87 Q8 G423B
<input type="checkbox"/> Brushed Stainless Steel	87 93 G423B

Built-in piece

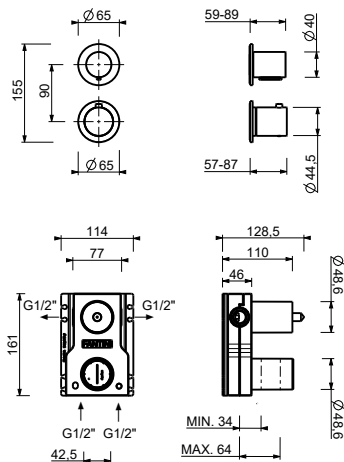
<input type="checkbox"/>	44 00 M523A
--------------------------	-------------

TOTAL PRICE

<input type="checkbox"/> Chrome	87 02 G423B
<input type="checkbox"/> Matt Black	87 13 G423B
<input type="checkbox"/> Matt White	87 29 G423B
<input type="checkbox"/> Matt Gun Metal PVD	87 P5 G423B
<input type="checkbox"/> Matt British Gold PVD	87 P6 G423B
<input type="checkbox"/> Matt Copper PVD	87 P9 G423B
<input type="checkbox"/> Deep Black PVD	87 S1 G423B
<input type="checkbox"/> Mokka PVD	87 S5 G423B
<input type="checkbox"/> Pure Brass PVD	87 Q7 G423B
<input type="checkbox"/> Raw Metal PVD	87 Q8 G423B
<input type="checkbox"/> Brushed Stainless Steel	87 93 G423B

ART. G423B+M523A

1/2" built-in thermostatic shower mixer



Way number 1

Pressure(bar)	Flow rate (l/min)
0.5	8.44
1	11.87
2	16.79
3	20.5
4	23.76

Way number 2

Pressure(bar)	Flow rate (l/min)
0.5	7.45
1	10.47
2	14.59
3	17.9
4	20.7