



## ART. H791B+H590A

### Stop valve

- ON/OFF button with flow rate adjustment Screen-printing on handshower
- soundproof
- for horizontal and vertical installation
- 1/2" inlets

### Date

### Project/Comments:

---



---



---



---



---



---



---

#### External piece

- |   |             |
|---|-------------|
| <input type="checkbox"/> Chrome                         | 87 02 H791B |
| <input type="checkbox"/> Matt Gun Metal PVD             | 87 P5 H791B |
| <input type="checkbox"/> Matt British Gold PVD          | 87 P6 H791B |
| <input type="checkbox"/> Matt Copper PVD                | 87 P9 H791B |
| <input type="checkbox"/> Deep Black PVD                 | 87 S1 H791B |
| <input type="checkbox"/> Mokka PVD                      | 87 S5 H791B |
| <input type="checkbox"/> Pure Brass PVD                 | 87 Q7 H791B |
| <input type="checkbox"/> Raw Metal PVD                  | 87 Q8 H791B |
| <input type="checkbox"/> <b>Brushed Stainless Steel</b> | 87 93 H791B |

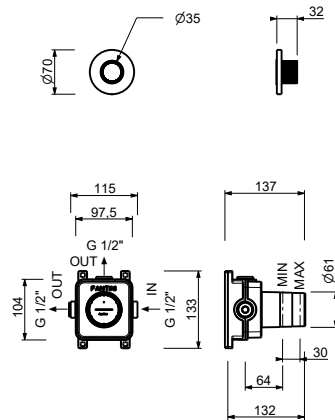
#### Built-in piece

- |                          |             |
|--------------------------|-------------|
| <input type="checkbox"/> | 44 00 H590A |
|--------------------------|-------------|

#### TOTAL PRICE

- |  |             |
|--|-------------|
| <input type="checkbox"/> Chrome                  | 87 02 H791B |
| <input type="checkbox"/> Matt Gun Metal PVD      | 87 P5 H791B |
| <input type="checkbox"/> Matt British Gold PVD   | 87 P6 H791B |
| <input type="checkbox"/> Matt Copper PVD         | 87 P9 H791B |
| <input type="checkbox"/> Deep Black PVD          | 87 S1 H791B |
| <input type="checkbox"/> Mokka PVD               | 87 S5 H791B |
| <input type="checkbox"/> Pure Brass PVD          | 87 Q7 H791B |
| <input type="checkbox"/> Raw Metal PVD           | 87 Q8 H791B |
| <input type="checkbox"/> Brushed Stainless Steel | 87 93 H791B |

**ART. H791B+H590A**  
 Stop valve



**Way number 1**

Pressure(bar)	Flow rate (l/min)
0.5	4.48
1	14.23
2	21.17
3	26.38
4	30.71