



ART. H792B+H590A

Stop valve

- ON/OFF button with flow rate adjustment AUX Screen-printing
- soundproof
- for horizontal and vertical installation
- 1/2" inlets

Date

Project/Comments:

External piece

- | | |
|---|-------------|
| <input type="checkbox"/> Chrome | 87 02 H792B |
| <input type="checkbox"/> Matt Gun Metal PVD | 87 P5 H792B |
| <input type="checkbox"/> Matt British Gold PVD | 87 P6 H792B |
| <input type="checkbox"/> Matt Copper PVD | 87 P9 H792B |
| <input type="checkbox"/> Deep Black PVD | 87 S1 H792B |
| <input type="checkbox"/> Mokka PVD | 87 S5 H792B |
| <input type="checkbox"/> Pure Brass PVD | 87 Q7 H792B |
| <input type="checkbox"/> Raw Metal PVD | 87 Q8 H792B |
| <input type="checkbox"/> Brushed Stainless Steel | 87 93 H792B |

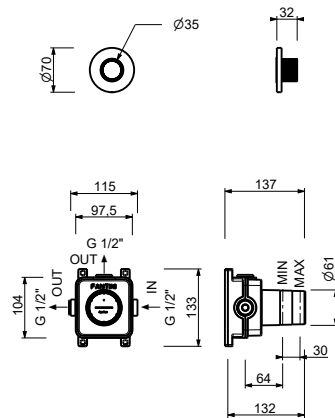
Built-in piece

- | | |
|--------------------------|-------------|
| <input type="checkbox"/> | 44 00 H590A |
|--------------------------|-------------|

TOTAL PRICE

- | | |
|--|-------------|
| <input type="checkbox"/> Chrome | 87 02 H792B |
| <input type="checkbox"/> Matt Gun Metal PVD | 87 P5 H792B |
| <input type="checkbox"/> Matt British Gold PVD | 87 P6 H792B |
| <input type="checkbox"/> Matt Copper PVD | 87 P9 H792B |
| <input type="checkbox"/> Deep Black PVD | 87 S1 H792B |
| <input type="checkbox"/> Mokka PVD | 87 S5 H792B |
| <input type="checkbox"/> Pure Brass PVD | 87 Q7 H792B |
| <input type="checkbox"/> Raw Metal PVD | 87 Q8 H792B |
| <input type="checkbox"/> Brushed Stainless Steel | 87 93 H792B |

ART. H792B+H590A
Stop valve



Way number 1

Pressure(bar)	Flow rate (l/min)
0.5	4.48
1	14.23
2	21.17
3	26.38
4	30.71