

ART. G573B+D373A

3/4" built-in thermostatic shower mixer

- handles
- 3-way shut-off diverter with turning knob
- for horizontal installation only
- 3/4" inlets

Date _____

Project/Comments: _____

External piece

- | | |
|--|-------------|
| <input type="checkbox"/> Chrome | 87 02 G573B |
| <input type="checkbox"/> Polished Nickel PVD | 87 95 G573B |
| <input type="checkbox"/> Matt Gun Metal PVD | 87 P5 G573B |
| <input type="checkbox"/> Matt British Gold PVD | 87 P6 G573B |
| <input type="checkbox"/> Matt Copper PVD | 87 P9 G573B |
| <input type="checkbox"/> Golden Look PVD | 87 S9 G573B |

Built-in piece

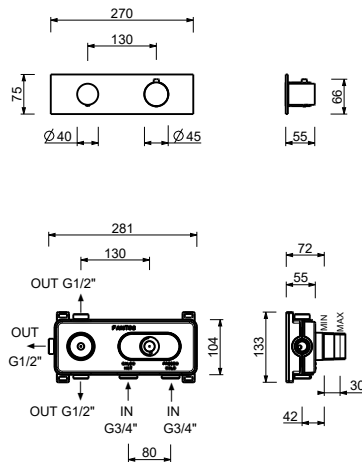
- | | |
|--------------------------|-------------|
| <input type="checkbox"/> | 19 00 D373A |
|--------------------------|-------------|

TOTAL PRICE

- | | |
|--|-------------|
| <input type="checkbox"/> Chrome | 87 02 G573B |
| <input type="checkbox"/> Polished Nickel PVD | 87 95 G573B |
| <input type="checkbox"/> Matt Gun Metal PVD | 87 P5 G573B |
| <input type="checkbox"/> Matt British Gold PVD | 87 P6 G573B |
| <input type="checkbox"/> Matt Copper PVD | 87 P9 G573B |
| <input type="checkbox"/> Golden Look PVD | 87 S9 G573B |

ART. G573B+D373A

3/4" built-in thermostatic shower mixer



Way number 1

| Pressure(bar) | Flow rate (l/min) |
|---------------|-------------------|
| 0.5 | 8.86 |
| 1 | 12.53 |
| 2 | 17.57 |
| 3 | 21.63 |
| 4 | 25.02 |

Way number 2

| Pressure(bar) | Flow rate (l/min) |
|---------------|-------------------|
| 0.5 | 7.91 |
| 1 | 11.03 |
| 2 | 15.47 |
| 3 | 19.01 |
| 4 | 21.98 |

Way number 3

| Pressure(bar) | Flow rate (l/min) |
|---------------|-------------------|
| 0.5 | 7.6 |
| 1 | 10.79 |
| 2 | 15.43 |
| 3 | 18.87 |
| 4 | 21.91 |