



ART. S711SB+R011A

Single-hole bidet mixer

- spout projection 12 cm
- without handles
- wall-mount remote controls
- flow restrictor 5 l/min at 3 bar
- 90° ceramic cartridge
- articulated aerator
- flexible supply lines
- WITH pop-up WASTE

NOTE: handles to be ordered separately, pls. refer to the "Handles" section

Date _____

Project/Comments: _____

External piece

- | | |
|--|--------------|
| <input type="checkbox"/> Chrome | 29 02 S711SB |
| <input type="checkbox"/> Polished Nickel PVD | 29 95 S711SB |
| <input type="checkbox"/> Matt Gun Metal PVD | 29 P5 S711SB |
| <input type="checkbox"/> Matt British Gold PVD | 29 P6 S711SB |
| <input type="checkbox"/> Matt Copper PVD | 29 P9 S711SB |
| <input type="checkbox"/> Golden Look PVD | 29 S9 S711SB |

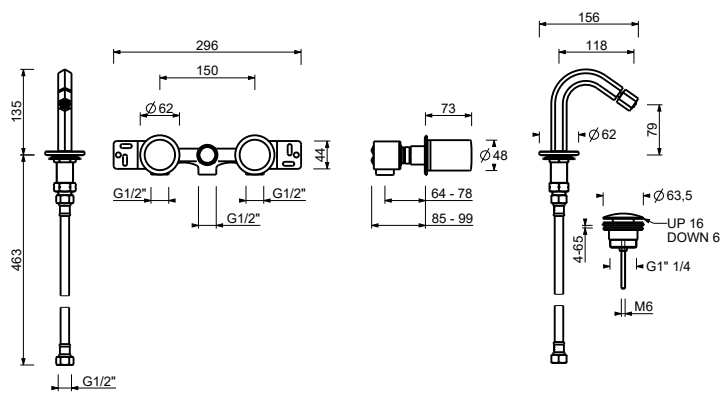
Built-in piece

- | | |
|--------------------------|-------------|
| <input type="checkbox"/> | 44 00 R011A |
|--------------------------|-------------|

TOTAL PRICE

- | | |
|--|--------------|
| <input type="checkbox"/> Chrome | 29 02 S711SB |
| <input type="checkbox"/> Polished Nickel PVD | 29 95 S711SB |
| <input type="checkbox"/> Matt Gun Metal PVD | 29 P5 S711SB |
| <input type="checkbox"/> Matt British Gold PVD | 29 P6 S711SB |
| <input type="checkbox"/> Matt Copper PVD | 29 P9 S711SB |
| <input type="checkbox"/> Golden Look PVD | 29 S9 S711SB |

ART. S711SB+R011A
 Single-hole bidet mixer



• articulated aerator

Pressure(bar)	Flow rate (l/min)
0.5	3.5
1	4.7
2	5.5
3	5.6
4	5.64