

ART. N013SB+R010A

Wall-mount washbasin mixer

- spout projection 20 cm
- without handles
- flow restrictor 5 l/min at 3 bar
- 90° ceramic cartridge
- 1/2" inlets
- WITHOUT WASTE

NOTE: handles to be ordered separately, pls. refer to the "Handles" section

Date

Project/Comments:

External piece

- | | |
|--|--------------|
| <input type="checkbox"/> Chrome | 29 02 N013SB |
| <input type="checkbox"/> Polished Nickel PVD | 29 95 N013SB |
| <input type="checkbox"/> Matt Gun Metal PVD | 29 P5 N013SB |
| <input type="checkbox"/> Matt British Gold PVD | 29 P6 N013SB |
| <input type="checkbox"/> Matt Copper PVD | 29 P9 N013SB |
| <input type="checkbox"/> Golden Look PVD | 29 S9 N013SB |

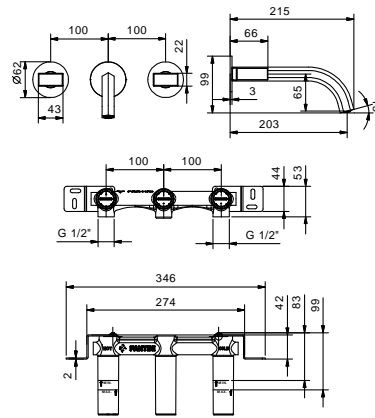
Built-in piece

- | | |
|--------------------------|-------------|
| <input type="checkbox"/> | 44 00 R010A |
|--------------------------|-------------|

TOTAL PRICE

- | | |
|--|--------------|
| <input type="checkbox"/> Chrome | 29 02 N013SB |
| <input type="checkbox"/> Polished Nickel PVD | 29 95 N013SB |
| <input type="checkbox"/> Matt Gun Metal PVD | 29 P5 N013SB |
| <input type="checkbox"/> Matt British Gold PVD | 29 P6 N013SB |
| <input type="checkbox"/> Matt Copper PVD | 29 P9 N013SB |
| <input type="checkbox"/> Golden Look PVD | 29 S9 N013SB |

ART. N013SB+R010A
Wall-mount washbasin mixer



• **Integrated aerator**

Pressure(bar)	Flow rate (l/min)
0.5	3.46
1	4.62
2	5.58
3	5.53
4	5.64