

## ART. G572B+D372A

### Miscelatore termostatico doccia incasso 3/4"

- maniglie
- deviatore a rotazione con chiusura a 2 uscite
- solo per montaggio orizzontale
- ingressi da 3/4"

### Data

---

### Progetto/Note

---



---



---



---



---



---



---

#### Parte esterna

<input type="checkbox"/> Cromo	87 02 G572B
<input type="checkbox"/> Polished Nickel PVD	87 95 G572B
<input type="checkbox"/> Matt Gun Metal PVD	87 P5 G572B
<input type="checkbox"/> Matt British Gold PVD	87 P6 G572B
<input type="checkbox"/> Matt Copper PVD	87 P9 G572B
<input type="checkbox"/> Golden Look PVD	87 S9 G572B

#### Parte da incasso

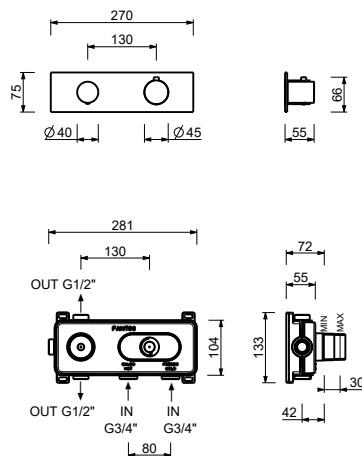
<input type="checkbox"/>	19 00 D372A
--------------------------	-------------

#### Prezzo totale

<input type="checkbox"/> Cromo	87 02 G572B
<input type="checkbox"/> Polished Nickel PVD	87 95 G572B
<input type="checkbox"/> Matt Gun Metal PVD	87 P5 G572B
<input type="checkbox"/> Matt British Gold PVD	87 P6 G572B
<input type="checkbox"/> Matt Copper PVD	87 P9 G572B
<input type="checkbox"/> Golden Look PVD	87 S9 G572B

## ART. G572B+D372A

Miscelatore termostatico doccia incasso 3/4"



### USCITA 1

Pressione(bar)	Portata (l/min)
0.5	8.86
1	12.53
2	17.57
3	21.63
4	25.02

### USCITA 2

Pressione(bar)	Portata (l/min)
0.5	7.91
1	11.03
2	15.47
3	19.01
4	21.98