



ART. G481B+M585A

Monomando ducha empotrado

- manetas
- desviador giratorio 2 salidas
- entradas de 1/2"
- aislamiento acústico
- solo para montaje vertical

Fecha

Proyecto/Comentarios

Parte externa

- | | | |
|--------------------------|------------------------|-------------|
| <input type="checkbox"/> | Cromo | 50 02 G481B |
| <input type="checkbox"/> | Negro Opaco | 50 13 G481B |
| <input type="checkbox"/> | Matt Gun Metal PVD | 50 P5 G481B |
| <input type="checkbox"/> | Matt British Gold PVD | 50 P6 G481B |
| <input type="checkbox"/> | Matt Copper PVD | 50 P9 G481B |
| <input type="checkbox"/> | Deep Black PVD | 50 S1 G481B |
| <input type="checkbox"/> | Mokka PVD | 50 S5 G481B |
| <input type="checkbox"/> | Pure Brass PVD | 50 Q7 G481B |
| <input type="checkbox"/> | Raw Metal PVD | 50 Q8 G481B |
| <input type="checkbox"/> | Acero Cepillado | 50 93 G481B |

Parte empotrable

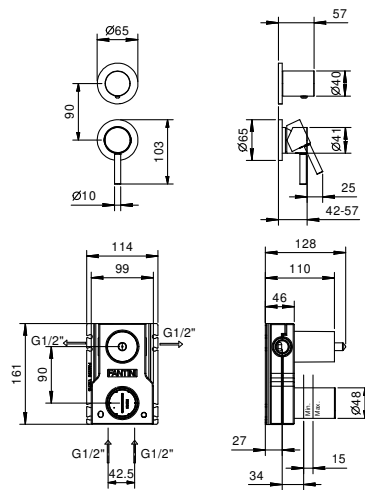
- | | | |
|--------------------------|--|-------------|
| <input type="checkbox"/> | | 44 00 M585A |
|--------------------------|--|-------------|

PRECIO TOTAL

- | | | |
|--------------------------|-----------------------|-------------|
| <input type="checkbox"/> | Cromo | 50 02 G481B |
| <input type="checkbox"/> | Negro Opaco | 50 13 G481B |
| <input type="checkbox"/> | Matt Gun Metal PVD | 50 P5 G481B |
| <input type="checkbox"/> | Matt British Gold PVD | 50 P6 G481B |
| <input type="checkbox"/> | Matt Copper PVD | 50 P9 G481B |
| <input type="checkbox"/> | Deep Black PVD | 50 S1 G481B |
| <input type="checkbox"/> | Mokka PVD | 50 S5 G481B |
| <input type="checkbox"/> | Pure Brass PVD | 50 Q7 G481B |
| <input type="checkbox"/> | Raw Metal PVD | 50 Q8 G481B |
| <input type="checkbox"/> | Acero Cepillado | 50 93 G481B |

NOSTROMO SMALL

ART. G481B+M585A
 Monomando ducha empotrado



Salida 1

Presión(bar)	Caudal (l/min)
0.5	8.44
1	11.87
2	16.79
3	20.5
4	23.76

Salida 2

Presión(bar)	Caudal (l/min)
0.5	7.45
1	10.47
2	14.59
3	17.9
4	20.7