



## ART. G481B+M585A

### Built-in shower mixer

- handles
- 2-way diverter with turning knob
- 1/2" inlets
- soundproof
- for vertical installation only

Date \_\_\_\_\_

Project/Comments: \_\_\_\_\_

\_\_\_\_\_

\_\_\_\_\_

\_\_\_\_\_

\_\_\_\_\_

\_\_\_\_\_

\_\_\_\_\_

### External piece

- |   |             |
|---|-------------|
| <input type="checkbox"/> Chrome                         | 50 02 G481B |
| <input type="checkbox"/> Matt Black                     | 50 13 G481B |
| <input type="checkbox"/> Matt Gun Metal PVD             | 50 P5 G481B |
| <input type="checkbox"/> Matt British Gold PVD          | 50 P6 G481B |
| <input type="checkbox"/> Matt Copper PVD                | 50 P9 G481B |
| <input type="checkbox"/> Deep Black PVD                 | 50 S1 G481B |
| <input type="checkbox"/> Mokka PVD                      | 50 S5 G481B |
| <input type="checkbox"/> Pure Brass PVD                 | 50 Q7 G481B |
| <input type="checkbox"/> Raw Metal PVD                  | 50 Q8 G481B |
| <input type="checkbox"/> <b>Brushed Stainless Steel</b> | 50 93 G481B |

### Built-in piece

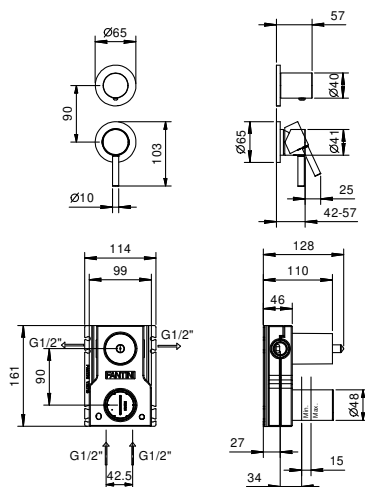
- |                          |             |
|--------------------------|-------------|
| <input type="checkbox"/> | 44 00 M585A |
|--------------------------|-------------|

### TOTAL PRICE

- |  |             |
|--|-------------|
| <input type="checkbox"/> Chrome                  | 50 02 G481B |
| <input type="checkbox"/> Matt Black              | 50 13 G481B |
| <input type="checkbox"/> Matt Gun Metal PVD      | 50 P5 G481B |
| <input type="checkbox"/> Matt British Gold PVD   | 50 P6 G481B |
| <input type="checkbox"/> Matt Copper PVD         | 50 P9 G481B |
| <input type="checkbox"/> Deep Black PVD          | 50 S1 G481B |
| <input type="checkbox"/> Mokka PVD               | 50 S5 G481B |
| <input type="checkbox"/> Pure Brass PVD          | 50 Q7 G481B |
| <input type="checkbox"/> Raw Metal PVD           | 50 Q8 G481B |
| <input type="checkbox"/> Brushed Stainless Steel | 50 93 G481B |

# NOSTROMO SMALL

**ART. G481B+M585A**  
 Built-in shower mixer



### Way number 1

Pressure(bar)	Flow rate (l/min)
0.5	8.44
1	11.87
2	16.79
3	20.5
4	23.76

### Way number 2

Pressure(bar)	Flow rate (l/min)
0.5	7.45
1	10.47
2	14.59
3	17.9
4	20.7