



ART. G489B+M587A

Monomando ducha empotrado

- manetas
- desviador giratorio 3 salidas
- entradas de 1/2"
- aislamiento acústico
- solo para montaje vertical

Fecha

Proyecto/Comentarios

Parte externa

- | | | |
|--------------------------|------------------------|-------------|
| <input type="checkbox"/> | Cromo | 50 02 G489B |
| <input type="checkbox"/> | Negro Opaco | 50 13 G489B |
| <input type="checkbox"/> | Matt Gun Metal PVD | 50 P5 G489B |
| <input type="checkbox"/> | Matt British Gold PVD | 50 P6 G489B |
| <input type="checkbox"/> | Matt Copper PVD | 50 P9 G489B |
| <input type="checkbox"/> | Deep Black PVD | 50 S1 G489B |
| <input type="checkbox"/> | Mokka PVD | 50 S5 G489B |
| <input type="checkbox"/> | Pure Brass PVD | 50 Q7 G489B |
| <input type="checkbox"/> | Raw Metal PVD | 50 Q8 G489B |
| <input type="checkbox"/> | Acero Cepillado | 50 93 G489B |

Parte empotrable

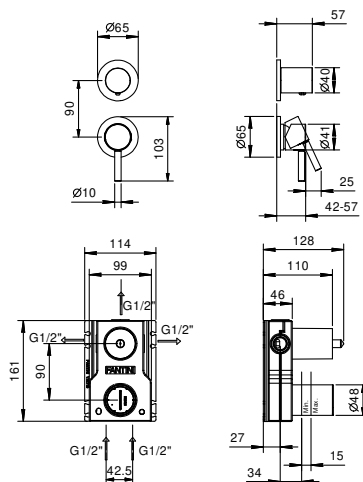
- | | | |
|--------------------------|--|-------------|
| <input type="checkbox"/> | | 44 00 M587A |
|--------------------------|--|-------------|

PRECIO TOTAL

- | | | |
|--------------------------|-----------------------|-------------|
| <input type="checkbox"/> | Cromo | 50 02 G489B |
| <input type="checkbox"/> | Negro Opaco | 50 13 G489B |
| <input type="checkbox"/> | Matt Gun Metal PVD | 50 P5 G489B |
| <input type="checkbox"/> | Matt British Gold PVD | 50 P6 G489B |
| <input type="checkbox"/> | Matt Copper PVD | 50 P9 G489B |
| <input type="checkbox"/> | Deep Black PVD | 50 S1 G489B |
| <input type="checkbox"/> | Mokka PVD | 50 S5 G489B |
| <input type="checkbox"/> | Pure Brass PVD | 50 Q7 G489B |
| <input type="checkbox"/> | Raw Metal PVD | 50 Q8 G489B |
| <input type="checkbox"/> | Acero Cepillado | 50 93 G489B |

NOSTROMO SMALL

ART. G489B+M587A
Monomando ducha empotrado



Salida 1

Presión(bar)	Caudal (l/min)
0.5	9.25
1	12.87
2	18.34
3	22.32
4	25.59

Salida 2

Presión(bar)	Caudal (l/min)
0.5	7.81
1	10.87
2	15.31
3	18.62
4	21.55

Salida 3

Presión(bar)	Caudal (l/min)
0.5	8.14
1	11.34
2	15.99
3	19.42
4	22.43