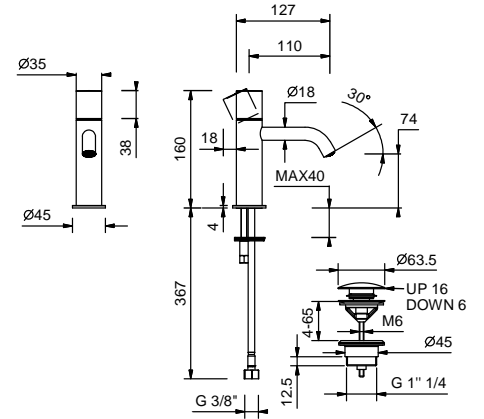


# NOSTROMO SMALL



## ART. G904F

### Single-hole washbasin mixer

- spout projection 11 cm
- handles: CYLINDRICAL and LEVER
- flow restrictor 5 l/min at 3 bar
- flexible supply lines
- WITH pop-up WASTE

Date \_\_\_\_\_

Project/Comments: \_\_\_\_\_  
 \_\_\_\_\_  
 \_\_\_\_\_  
 \_\_\_\_\_  
 \_\_\_\_\_  
 \_\_\_\_\_

### Finish:

- |   |             |
|---|-------------|
| <input type="checkbox"/> Chrome                         | 50 02 G904F |
| <input type="checkbox"/> Matt Black                     | 50 13 G904F |
| <input type="checkbox"/> Matt Gun Metal PVD             | 50 P5 G904F |
| <input type="checkbox"/> Matt British Gold PVD          | 50 P6 G904F |
| <input type="checkbox"/> Matt Copper PVD                | 50 P9 G904F |
| <input type="checkbox"/> Deep Black PVD                 | 50 S1 G904F |
| <input type="checkbox"/> Mokka PVD                      | 50 S5 G904F |
| <input type="checkbox"/> Pure Brass PVD                 | 50 Q7 G904F |
| <input type="checkbox"/> Raw Metal PVD                  | 50 Q8 G904F |
| <input type="checkbox"/> <b>Brushed Stainless Steel</b> | 50 93 G904F |

### • Integrated aerator

Pressure(bar)	Flow rate (l/min)
0.5	2.34
1	3.81
2	5.09
3	5.1
4	5.38