



ART. G572B+D372A

Monomando termostático ducha empotrado 3/4"

- manetas
- desviador giratorio con cierre 2 salidas
- solo para montaje horizontal
- entradas de 3/4"

Fecha

Proyecto/Comentarios

Parte externa

- | | | |
|--------------------------|------------------------|-------------|
| <input type="checkbox"/> | Cromo | 87 02 G572B |
| <input type="checkbox"/> | Negro Opaco | 87 13 G572B |
| <input type="checkbox"/> | Matt Gun Metal PVD | 87 P5 G572B |
| <input type="checkbox"/> | Matt British Gold PVD | 87 P6 G572B |
| <input type="checkbox"/> | Matt Copper PVD | 87 P9 G572B |
| <input type="checkbox"/> | Deep Black PVD | 87 S1 G572B |
| <input type="checkbox"/> | Mokka PVD | 87 S5 G572B |
| <input type="checkbox"/> | Pure Brass PVD | 87 Q7 G572B |
| <input type="checkbox"/> | Raw Metal PVD | 87 Q8 G572B |
| <input type="checkbox"/> | Acero Cepillado | 87 93 G572B |

Parte empotrable

- | | | |
|--------------------------|--|-------------|
| <input type="checkbox"/> | | 19 00 D372A |
|--------------------------|--|-------------|

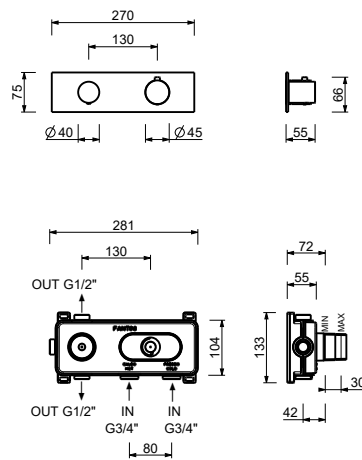
PRECIO TOTAL

- | | | |
|--------------------------|-----------------------|-------------|
| <input type="checkbox"/> | Cromo | 87 02 G572B |
| <input type="checkbox"/> | Negro Opaco | 87 13 G572B |
| <input type="checkbox"/> | Matt Gun Metal PVD | 87 P5 G572B |
| <input type="checkbox"/> | Matt British Gold PVD | 87 P6 G572B |
| <input type="checkbox"/> | Matt Copper PVD | 87 P9 G572B |
| <input type="checkbox"/> | Deep Black PVD | 87 S1 G572B |
| <input type="checkbox"/> | Mokka PVD | 87 S5 G572B |
| <input type="checkbox"/> | Pure Brass PVD | 87 Q7 G572B |
| <input type="checkbox"/> | Raw Metal PVD | 87 Q8 G572B |
| <input type="checkbox"/> | Acero Cepillado | 87 93 G572B |

NOSTROMO SMALL

ART. G572B+D372A

Monomando termostático ducha empotrado 3/4"



Salida 1

Presión(bar)	Caudal (l/min)
0.5	8.86
1	12.53
2	17.57
3	21.63
4	25.02

Salida 2

Presión(bar)	Caudal (l/min)
0.5	7.91
1	11.03
2	15.47
3	19.01
4	21.98