

NOSTROMO SMALL



ART. G572B+D372A

3/4" built-in thermostatic shower mixer

- handles
- 2-way shut-off diverter with turning knob
- for horizontal installation only
- 3/4" inlets

Date

Project/Comments:

External piece

<input type="checkbox"/> Chrome	87 02 G572B
<input type="checkbox"/> Matt Black	87 13 G572B
<input type="checkbox"/> Matt Gun Metal PVD	87 P5 G572B
<input type="checkbox"/> Matt British Gold PVD	87 P6 G572B
<input type="checkbox"/> Matt Copper PVD	87 P9 G572B
<input type="checkbox"/> Deep Black PVD	87 S1 G572B
<input type="checkbox"/> Mokka PVD	87 S5 G572B
<input type="checkbox"/> Pure Brass PVD	87 Q7 G572B
<input type="checkbox"/> Raw Metal PVD	87 Q8 G572B
<input type="checkbox"/> Brushed Stainless Steel	87 93 G572B

Built-in piece

<input type="checkbox"/>	19 00 D372A
--------------------------	-------------

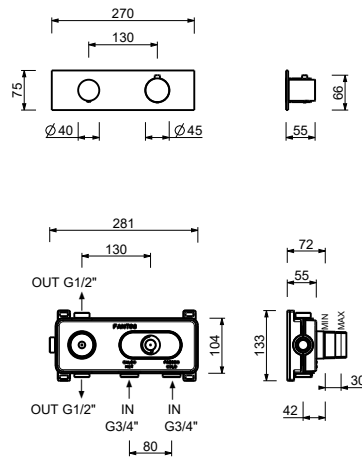
TOTAL PRICE

<input type="checkbox"/> Chrome	87 02 G572B
<input type="checkbox"/> Matt Black	87 13 G572B
<input type="checkbox"/> Matt Gun Metal PVD	87 P5 G572B
<input type="checkbox"/> Matt British Gold PVD	87 P6 G572B
<input type="checkbox"/> Matt Copper PVD	87 P9 G572B
<input type="checkbox"/> Deep Black PVD	87 S1 G572B
<input type="checkbox"/> Mokka PVD	87 S5 G572B
<input type="checkbox"/> Pure Brass PVD	87 Q7 G572B
<input type="checkbox"/> Raw Metal PVD	87 Q8 G572B
<input type="checkbox"/> Brushed Stainless Steel	87 93 G572B

NOSTROMO SMALL

ART. G572B+D372A

3/4" built-in thermostatic shower mixer



Way number 1

Pressure(bar)	Flow rate (l/min)
0.5	8.86
1	12.53
2	17.57
3	21.63
4	25.02

Way number 2

Pressure(bar)	Flow rate (l/min)
0.5	7.91
1	11.03
2	15.47
3	19.01
4	21.98