

## ART. G573B+D373A

### Miscelatore termostatico doccia incasso 3/4"

- maniglie
- deviatore a rotazione con chiusura a 3 uscite
- solo per montaggio orizzontale
- ingressi da 3/4"

### Data

---

### Progetto/Note

---



---



---



---



---



---



---

#### Parte esterna

<input type="checkbox"/>	Cromo	87 02 G573B
<input type="checkbox"/>	Nero Opaco	87 13 G573B
<input type="checkbox"/>	Matt Gun Metal PVD	87 P5 G573B
<input type="checkbox"/>	Matt British Gold PVD	87 P6 G573B
<input type="checkbox"/>	Matt Copper PVD	87 P9 G573B
<input type="checkbox"/>	Deep Black PVD	87 S1 G573B
<input type="checkbox"/>	Mokka PVD	87 S5 G573B
<input type="checkbox"/>	Pure Brass PVD	87 Q7 G573B
<input type="checkbox"/>	Raw Metal PVD	87 Q8 G573B
<input type="checkbox"/>	<b>Acciaio spazzolato</b>	87 93 G573B

#### Parte da incasso

<input type="checkbox"/>		19 00 D373A
--------------------------	--	-------------

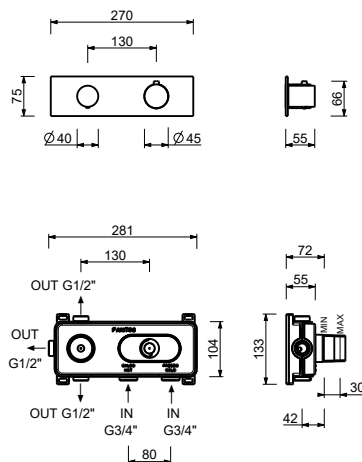
#### Prezzo totale

<input type="checkbox"/>	Cromo	87 02 G573B
<input type="checkbox"/>	Nero Opaco	87 13 G573B
<input type="checkbox"/>	Matt Gun Metal PVD	87 P5 G573B
<input type="checkbox"/>	Matt British Gold PVD	87 P6 G573B
<input type="checkbox"/>	Matt Copper PVD	87 P9 G573B
<input type="checkbox"/>	Deep Black PVD	87 S1 G573B
<input type="checkbox"/>	Mokka PVD	87 S5 G573B
<input type="checkbox"/>	Pure Brass PVD	87 Q7 G573B
<input type="checkbox"/>	Raw Metal PVD	87 Q8 G573B
<input type="checkbox"/>	Acciaio spazzolato	87 93 G573B

# NOSTROMO SMALL

## ART. G573B+D373A

Miscelatore termostatico doccia incasso 3/4"



### USCITA 1

Pressione(bar)	Portata (l/min)
0.5	8.86
1	12.53
2	17.57
3	21.63
4	25.02

### USCITA 2

Pressione(bar)	Portata (l/min)
0.5	7.91
1	11.03
2	15.47
3	19.01
4	21.98

### USCITA 3

Pressione(bar)	Portata (l/min)
0.5	7.6
1	10.79
2	15.43
3	18.87
4	21.91