



ART. G489B+M687A

Monomando ducha empotrado

- manetas
- con embellecedores
- desviador giratorio 3 salidas
- entradas de 1/2"
- aislamiento acústico
- solo para montaje horizontal

Fecha

Proyecto/Comentarios

Parte externa

- | | | |
|--------------------------|------------------------|-------------|
| <input type="checkbox"/> | Cromo | 50 02 G489B |
| <input type="checkbox"/> | Negro Opaco | 50 13 G489B |
| <input type="checkbox"/> | Matt Gun Metal PVD | 50 P5 G489B |
| <input type="checkbox"/> | Matt British Gold PVD | 50 P6 G489B |
| <input type="checkbox"/> | Matt Copper PVD | 50 P9 G489B |
| <input type="checkbox"/> | Deep Black PVD | 50 S1 G489B |
| <input type="checkbox"/> | Mokka PVD | 50 S5 G489B |
| <input type="checkbox"/> | Pure Brass PVD | 50 Q7 G489B |
| <input type="checkbox"/> | Raw Metal PVD | 50 Q8 G489B |
| <input type="checkbox"/> | Acero Cepillado | 50 93 G489B |

Parte empotrable

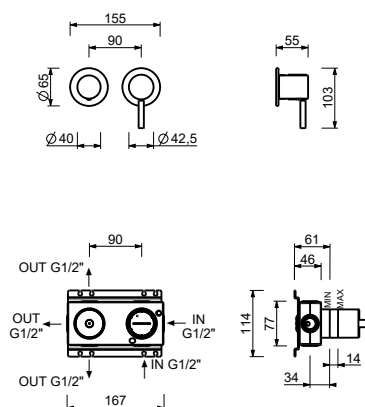
- | | | |
|--------------------------|--|-------------|
| <input type="checkbox"/> | | 44 00 M687A |
|--------------------------|--|-------------|

PRECIO TOTAL

- | | | |
|--------------------------|-----------------------|-------------|
| <input type="checkbox"/> | Cromo | 50 02 G489B |
| <input type="checkbox"/> | Negro Opaco | 50 13 G489B |
| <input type="checkbox"/> | Matt Gun Metal PVD | 50 P5 G489B |
| <input type="checkbox"/> | Matt British Gold PVD | 50 P6 G489B |
| <input type="checkbox"/> | Matt Copper PVD | 50 P9 G489B |
| <input type="checkbox"/> | Deep Black PVD | 50 S1 G489B |
| <input type="checkbox"/> | Mokka PVD | 50 S5 G489B |
| <input type="checkbox"/> | Pure Brass PVD | 50 Q7 G489B |
| <input type="checkbox"/> | Raw Metal PVD | 50 Q8 G489B |
| <input type="checkbox"/> | Acero Cepillado | 50 93 G489B |

NOSTROMO SMALL

ART. G489B+M687A
Monomando ducha empotrado



Salida 1

Presión(bar)	Caudal (l/min)
0.5	8.36
1	11.39
2	15.95
3	19.53
4	22.52

Salida 2

Presión(bar)	Caudal (l/min)
0.5	7.53
1	10.86
2	15.27
3	18.63
4	21.49

Salida 3

Presión(bar)	Caudal (l/min)
0.5	7.36
1	10.17
2	14.28
3	17.38
4	20.08