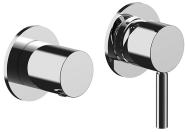


NOSTROMO SMALL



ART. G489B+M687A

Built-in shower mixer

- handles
- with rosaces
- 3-way diverter with turning knob
- 1/2" inlets
- soundproof
- for horizontal installation only

Date _____

Project/Comments: _____

External piece

- | | |
|---|-------------|
| <input type="checkbox"/> Chrome | 50 02 G489B |
| <input type="checkbox"/> Matt Black | 50 13 G489B |
| <input type="checkbox"/> Matt Gun Metal PVD | 50 P5 G489B |
| <input type="checkbox"/> Matt British Gold PVD | 50 P6 G489B |
| <input type="checkbox"/> Matt Copper PVD | 50 P9 G489B |
| <input type="checkbox"/> Deep Black PVD | 50 S1 G489B |
| <input type="checkbox"/> Mokka PVD | 50 S5 G489B |
| <input type="checkbox"/> Pure Brass PVD | 50 Q7 G489B |
| <input type="checkbox"/> Raw Metal PVD | 50 Q8 G489B |
| <input type="checkbox"/> Brushed Stainless Steel | 50 93 G489B |

Built-in piece

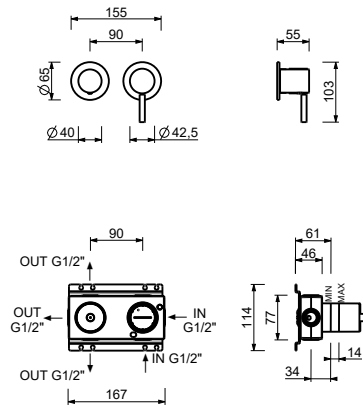
- | | |
|--------------------------|-------------|
| <input type="checkbox"/> | 44 00 M687A |
|--------------------------|-------------|

TOTAL PRICE

- | | |
|--|-------------|
| <input type="checkbox"/> Chrome | 50 02 G489B |
| <input type="checkbox"/> Matt Black | 50 13 G489B |
| <input type="checkbox"/> Matt Gun Metal PVD | 50 P5 G489B |
| <input type="checkbox"/> Matt British Gold PVD | 50 P6 G489B |
| <input type="checkbox"/> Matt Copper PVD | 50 P9 G489B |
| <input type="checkbox"/> Deep Black PVD | 50 S1 G489B |
| <input type="checkbox"/> Mokka PVD | 50 S5 G489B |
| <input type="checkbox"/> Pure Brass PVD | 50 Q7 G489B |
| <input type="checkbox"/> Raw Metal PVD | 50 Q8 G489B |
| <input type="checkbox"/> Brushed Stainless Steel | 50 93 G489B |

NOSTROMO SMALL

ART. G489B+M687A
 Built-in shower mixer



Way number 1

Pressure(bar)	Flow rate (l/min)
0.5	8.36
1	11.39
2	15.95
3	19.53
4	22.52

Way number 2

Pressure(bar)	Flow rate (l/min)
0.5	7.53
1	10.86
2	15.27
3	18.63
4	21.49

Way number 3

Pressure(bar)	Flow rate (l/min)
0.5	7.36
1	10.17
2	14.28
3	17.38
4	20.08