



ART. G423B+M523A

Monomando termostático ducha empotrado 1/2"

- manetas
- con embellecedores
- desviador giratorio 2 salidas
- entradas de 1/2"
- aislamiento acústico
- solo para montaje vertical

Fecha

Proyecto/Comentarios

Parte externa

- | | | |
|--------------------------|------------------------|-------------|
| <input type="checkbox"/> | Cromo | 87 02 G423B |
| <input type="checkbox"/> | Negro Opaco | 87 13 G423B |
| <input type="checkbox"/> | Matt Gun Metal PVD | 87 P5 G423B |
| <input type="checkbox"/> | Matt British Gold PVD | 87 P6 G423B |
| <input type="checkbox"/> | Matt Copper PVD | 87 P9 G423B |
| <input type="checkbox"/> | Deep Black PVD | 87 S1 G423B |
| <input type="checkbox"/> | Mokka PVD | 87 S5 G423B |
| <input type="checkbox"/> | Pure Brass PVD | 87 Q7 G423B |
| <input type="checkbox"/> | Raw Metal PVD | 87 Q8 G423B |
| <input type="checkbox"/> | Acero Cepillado | 87 93 G423B |

Parte empotrable

- | | | |
|--------------------------|--|-------------|
| <input type="checkbox"/> | | 44 00 M523A |
|--------------------------|--|-------------|

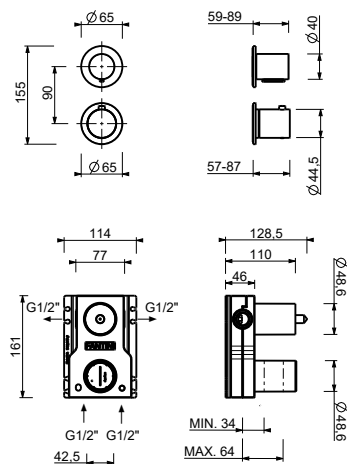
PRECIO TOTAL

- | | | |
|--------------------------|-----------------------|-------------|
| <input type="checkbox"/> | Cromo | 87 02 G423B |
| <input type="checkbox"/> | Negro Opaco | 87 13 G423B |
| <input type="checkbox"/> | Matt Gun Metal PVD | 87 P5 G423B |
| <input type="checkbox"/> | Matt British Gold PVD | 87 P6 G423B |
| <input type="checkbox"/> | Matt Copper PVD | 87 P9 G423B |
| <input type="checkbox"/> | Deep Black PVD | 87 S1 G423B |
| <input type="checkbox"/> | Mokka PVD | 87 S5 G423B |
| <input type="checkbox"/> | Pure Brass PVD | 87 Q7 G423B |
| <input type="checkbox"/> | Raw Metal PVD | 87 Q8 G423B |
| <input type="checkbox"/> | Acero Cepillado | 87 93 G423B |

NOSTROMO SMALL

ART. G423B+M523A

Monomando termostático ducha empotrado 1/2"



Salida 1

Presión(bar)	Caudal (l/min)
0.5	8.44
1	11.87
2	16.79
3	20.5
4	23.76

Salida 2

Presión(bar)	Caudal (l/min)
0.5	7.45
1	10.47
2	14.59
3	17.9
4	20.7