



## ART. G423B+M623A

### Miscelatore termostatico doccia incasso 1/2"

- maniglie
- con rosoni
- deviatore a rotazione a 2 uscite
- ingressi da 1/2"
- isolamento acustico
- solo per montaggio orizzontale

### Data

---

### Progetto/Note

---

---

---

---

---

---

---

---

#### Parte esterna

- |                                                    |             |
|----------------------------------------------------|-------------|
| <input type="checkbox"/> Cromo                     | 87 02 G423B |
| <input type="checkbox"/> Nero Opaco                | 87 13 G423B |
| <input type="checkbox"/> Matt Gun Metal PVD        | 87 P5 G423B |
| <input type="checkbox"/> Matt British Gold PVD     | 87 P6 G423B |
| <input type="checkbox"/> Matt Copper PVD           | 87 P9 G423B |
| <input type="checkbox"/> Deep Black PVD            | 87 S1 G423B |
| <input type="checkbox"/> Mokka PVD                 | 87 S5 G423B |
| <input type="checkbox"/> Pure Brass PVD            | 87 Q7 G423B |
| <input type="checkbox"/> Raw Metal PVD             | 87 Q8 G423B |
| <input type="checkbox"/> <b>Acciaio spazzolato</b> | 87 93 G423B |

#### Parte da incasso

- |                          |             |
|--------------------------|-------------|
| <input type="checkbox"/> | 44 00 M623A |
|--------------------------|-------------|

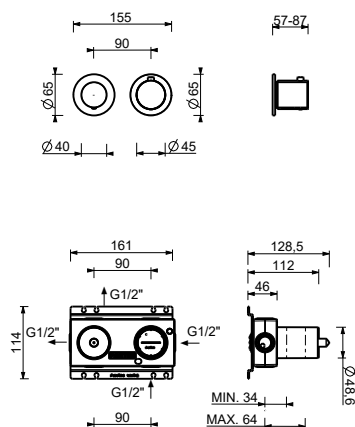
#### Prezzo totale

- |                                                |             |
|------------------------------------------------|-------------|
| <input type="checkbox"/> Cromo                 | 87 02 G423B |
| <input type="checkbox"/> Nero Opaco            | 87 13 G423B |
| <input type="checkbox"/> Matt Gun Metal PVD    | 87 P5 G423B |
| <input type="checkbox"/> Matt British Gold PVD | 87 P6 G423B |
| <input type="checkbox"/> Matt Copper PVD       | 87 P9 G423B |
| <input type="checkbox"/> Deep Black PVD        | 87 S1 G423B |
| <input type="checkbox"/> Mokka PVD             | 87 S5 G423B |
| <input type="checkbox"/> Pure Brass PVD        | 87 Q7 G423B |
| <input type="checkbox"/> Raw Metal PVD         | 87 Q8 G423B |
| <input type="checkbox"/> Acciaio spazzolato    | 87 93 G423B |

# NOSTROMO SMALL

## ART. G423B+M623A

Miscelatore termostatico doccia incasso 1/2"



### USCITA 1

Pressione(bar)	Portata (l/min)
0.5	8.44
1	11.87
2	16.79
3	20.5
4	23.76

### USCITA 2

Pressione(bar)	Portata (l/min)
0.5	7.45
1	10.47
2	14.59
3	17.9
4	20.7