



## ART. G423B+M623A

### 1/2" UP-Thermostatbrausemischer

- Griffe
- mit Rosette
- Drehumsteller 2-Wege
- 1/2" Eingänge
- Schallschutz
- nur für horizontale Montage

### Datum

---

### Project/Kommentar

---

---

---

---

---

---

---

---

#### AP-Teil

- |   |             |
|---|-------------|
| <input type="checkbox"/> Chrom                      | 87 02 G423B |
| <input type="checkbox"/> Schwarz matt               | 87 13 G423B |
| <input type="checkbox"/> Matt Gun Metal PVD         | 87 P5 G423B |
| <input type="checkbox"/> Matt British Gold PVD      | 87 P6 G423B |
| <input type="checkbox"/> Matt Copper PVD            | 87 P9 G423B |
| <input type="checkbox"/> Deep Black PVD             | 87 S1 G423B |
| <input type="checkbox"/> Mokka PVD                  | 87 S5 G423B |
| <input type="checkbox"/> Pure Brass PVD             | 87 Q7 G423B |
| <input type="checkbox"/> Raw Metal PVD              | 87 Q8 G423B |
| <input type="checkbox"/> <b>Edelstahl gebürstet</b> | 87 93 G423B |

#### UP-Teil

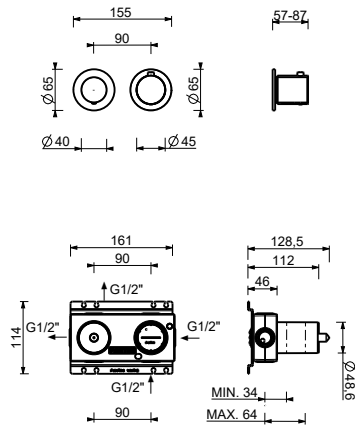
- |                          |             |
|--------------------------|-------------|
| <input type="checkbox"/> | 44 00 M623A |
|--------------------------|-------------|

#### GESAMTPREIS

- |  |             |
|--|-------------|
| <input type="checkbox"/> Chrom                 | 87 02 G423B |
| <input type="checkbox"/> Schwarz matt          | 87 13 G423B |
| <input type="checkbox"/> Matt Gun Metal PVD    | 87 P5 G423B |
| <input type="checkbox"/> Matt British Gold PVD | 87 P6 G423B |
| <input type="checkbox"/> Matt Copper PVD       | 87 P9 G423B |
| <input type="checkbox"/> Deep Black PVD        | 87 S1 G423B |
| <input type="checkbox"/> Mokka PVD             | 87 S5 G423B |
| <input type="checkbox"/> Pure Brass PVD        | 87 Q7 G423B |
| <input type="checkbox"/> Raw Metal PVD         | 87 Q8 G423B |
| <input type="checkbox"/> Edelstahl gebürstet   | 87 93 G423B |

# NOSTROMO SMALL

**ART. G423B+M623A**  
 1/2" UP-Thermostatbrausemischer



### Abgang Nummer 1

| Wasserdruck(bar) | Durchfluss (l/min) |
|------------------|--------------------|
| 0.5              | 8.44               |
| 1                | 11.87              |
| 2                | 16.79              |
| 3                | 20.5               |
| 4                | 23.76              |

### Abgang Nummer 2

| Wasserdruck(bar) | Durchfluss (l/min) |
|------------------|--------------------|
| 0.5              | 7.45               |
| 1                | 10.47              |
| 2                | 14.59              |
| 3                | 17.9               |
| 4                | 20.7               |