

## ART. G781B+M585A

### Built-in shower mixer

- handles
- with rosaces
- 2-way diverter with turning knob
- 1/2" inlets
- soundproof
- for vertical installation only

Date \_\_\_\_\_

Project/Comments: \_\_\_\_\_

\_\_\_\_\_

\_\_\_\_\_

\_\_\_\_\_

\_\_\_\_\_

\_\_\_\_\_

\_\_\_\_\_

#### External piece

- |   |             |
|---|-------------|
| <input type="checkbox"/> Chrome                         | 31 02 G781B |
| <input type="checkbox"/> Polished Nickel PVD            | 31 95 G781B |
| <input type="checkbox"/> Matt Gun Metal PVD             | 31 P5 G781B |
| <input type="checkbox"/> Matt British Gold PVD          | 31 P6 G781B |
| <input type="checkbox"/> Matt Copper PVD                | 31 P9 G781B |
| <input type="checkbox"/> Deep Black PVD                 | 31 S1 G781B |
| <input type="checkbox"/> Pure Brass PVD                 | 31 Q7 G781B |
| <input type="checkbox"/> Raw Metal PVD                  | 31 Q8 G781B |
| <input type="checkbox"/> <b>Brushed Stainless Steel</b> | 31 93 G781B |

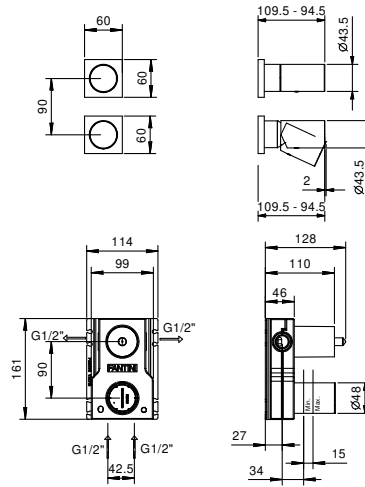
#### Built-in piece

- |                          |             |
|--------------------------|-------------|
| <input type="checkbox"/> | 44 00 M585A |
|--------------------------|-------------|

#### TOTAL PRICE

- |  |             |
|--|-------------|
| <input type="checkbox"/> Chrome                  | 31 02 G781B |
| <input type="checkbox"/> Polished Nickel PVD     | 31 95 G781B |
| <input type="checkbox"/> Matt Gun Metal PVD      | 31 P5 G781B |
| <input type="checkbox"/> Matt British Gold PVD   | 31 P6 G781B |
| <input type="checkbox"/> Matt Copper PVD         | 31 P9 G781B |
| <input type="checkbox"/> Deep Black PVD          | 31 S1 G781B |
| <input type="checkbox"/> Pure Brass PVD          | 31 Q7 G781B |
| <input type="checkbox"/> Raw Metal PVD           | 31 Q8 G781B |
| <input type="checkbox"/> Brushed Stainless Steel | 31 93 G781B |

**ART. G781B+M585A**  
**Built-in shower mixer**



**Way number 1**

Pressure(bar)	Flow rate (l/min)
0.5	8.44
1	11.87
2	16.79
3	20.5
4	23.76

**Way number 2**

Pressure(bar)	Flow rate (l/min)
0.5	7.45
1	10.47
2	14.59
3	17.9
4	20.7