

ART. G789B+M687A

Monomando ducha empotrado

- manetas
- con embellecedores
- desviador giratorio 3 salidas
- entradas de 1/2"
- solo para montaje horizontal
- aislamiento acústico

Fecha _____

Proyecto/Comentarios _____

Parte externa

- | | |
|---|-------------|
| <input type="checkbox"/> Cromo | 31 02 G789B |
| <input type="checkbox"/> Polished Nickel PVD | 31 95 G789B |
| <input type="checkbox"/> Matt Gun Metal PVD | 31 P5 G789B |
| <input type="checkbox"/> Matt British Gold PVD | 31 P6 G789B |
| <input type="checkbox"/> Matt Copper PVD | 31 P9 G789B |
| <input type="checkbox"/> Deep Black PVD | 31 S1 G789B |
| <input type="checkbox"/> Pure Brass PVD | 31 Q7 G789B |
| <input type="checkbox"/> Raw Metal PVD | 31 Q8 G789B |
| <input type="checkbox"/> Acero Cepillado | 31 93 G789B |

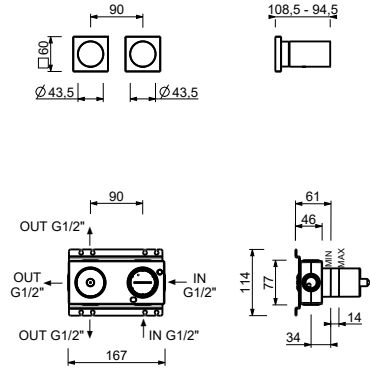
Parte empotrable

- | | |
|--------------------------|-------------|
| <input type="checkbox"/> | 44 00 M687A |
|--------------------------|-------------|

PRECIO TOTAL

- | | |
|--|-------------|
| <input type="checkbox"/> Cromo | 31 02 G789B |
| <input type="checkbox"/> Polished Nickel PVD | 31 95 G789B |
| <input type="checkbox"/> Matt Gun Metal PVD | 31 P5 G789B |
| <input type="checkbox"/> Matt British Gold PVD | 31 P6 G789B |
| <input type="checkbox"/> Matt Copper PVD | 31 P9 G789B |
| <input type="checkbox"/> Deep Black PVD | 31 S1 G789B |
| <input type="checkbox"/> Pure Brass PVD | 31 Q7 G789B |
| <input type="checkbox"/> Raw Metal PVD | 31 Q8 G789B |
| <input type="checkbox"/> Acero Cepillado | 31 93 G789B |

ART. G789B+M687A
Monomando ducha empotrado



Salida 1

Presiòn(bar)	Caudal (l/min)
0.5	8.36
1	11.39
2	15.95
3	19.53
4	22.52

Salida 2

Presiòn(bar)	Caudal (l/min)
0.5	7.53
1	10.86
2	15.27
3	18.63
4	21.49

Salida 3

Presiòn(bar)	Caudal (l/min)
0.5	7.36
1	10.17
2	14.28
3	17.38
4	20.08