



## ART. P784B+R084A

### Built-in shower mixer

- handles
- 2-way diverter with turning knob
- FIT handshower
- water plug with showerholder
- 150 cm PVC flexible
- 1/2" inlets

Date \_\_\_\_\_

Project/Comments: \_\_\_\_\_  
\_\_\_\_\_  
\_\_\_\_\_  
\_\_\_\_\_  
\_\_\_\_\_  
\_\_\_\_\_

### External piece

- |   |             |
|---|-------------|
| <input type="checkbox"/> Polished Nickel PVD            | 49 95 P784B |
| <input type="checkbox"/> Matt Gun Metal PVD             | 49 P5 P784B |
| <input type="checkbox"/> <b>Brushed Stainless Steel</b> | 49 93 P784B |

### Built-in piece

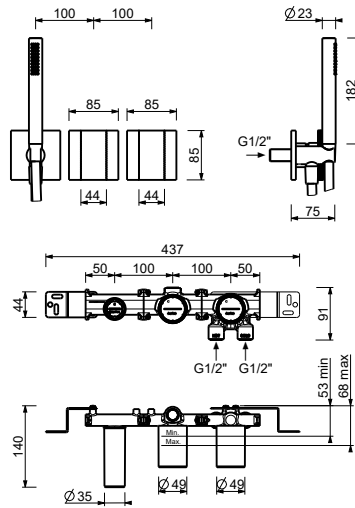
- |                          |             |
|--------------------------|-------------|
| <input type="checkbox"/> | 44 00 R084A |
|--------------------------|-------------|

### TOTAL PRICE

- |  |             |
|--|-------------|
| <input type="checkbox"/> Polished Nickel PVD     | 49 95 P784B |
| <input type="checkbox"/> Matt Gun Metal PVD      | 49 P5 P784B |
| <input type="checkbox"/> Brushed Stainless Steel | 49 93 P784B |

# O-XY

## ART. P784B+R084A Built-in shower mixer



### Way number 1

Pressure(bar)	Flow rate (l/min)
0.5	8.64
1	12.01
2	16.82
3	20.39
4	23.37

### • handshower

Pressure(bar)	Flow rate (l/min)
0.5	4.4
1	6.32
2	8.18
3	8.75
4	8.4