



ART. P872B+D372A

3/4" built-in thermostatic shower mixer

- handles
- 2-way shut-off diverter with turning knob
- for horizontal installation only
- 3/4" inlets

Date _____

Project/Comments: _____

External piece

- Polished Nickel PVD 49 95 P872B
- Matt Gun Metal PVD 49 P5 P872B
- Brushed Stainless Steel** 49 93 P872B

Built-in piece

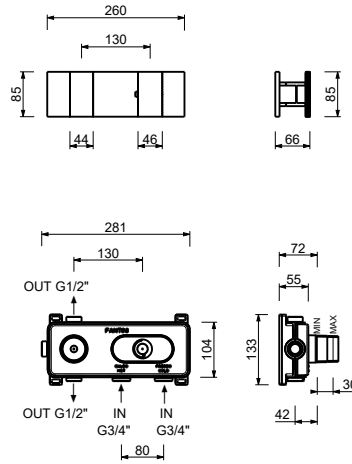
- 19 00 D372A

TOTAL PRICE

- Polished Nickel PVD 49 95 P872B
- Matt Gun Metal PVD 49 P5 P872B
- Brushed Stainless Steel 49 93 P872B

ART. P872B+D372A

3/4" built-in thermostatic shower mixer



Way number 1

Pressure(bar)	Flow rate (l/min)
0.5	8.86
1	12.53
2	17.57
3	21.63
4	25.02

Way number 2

Pressure(bar)	Flow rate (l/min)
0.5	7.91
1	11.03
2	15.47
3	19.01
4	21.98