



## ART. P783B+M687A

### Built-in shower mixer

- handles
- with plate
- 3-way diverter with turning knob
- 1/2" inlets
- soundproof
- for horizontal installation only

Date \_\_\_\_\_

Project/Comments: \_\_\_\_\_  
\_\_\_\_\_  
\_\_\_\_\_  
\_\_\_\_\_  
\_\_\_\_\_  
\_\_\_\_\_

### External piece

- |   |             |
|---|-------------|
| <input type="checkbox"/> Polished Nickel PVD            | 49 95 P783B |
| <input type="checkbox"/> Matt Gun Metal PVD             | 49 P5 P783B |
| <input type="checkbox"/> <b>Brushed Stainless Steel</b> | 49 93 P783B |

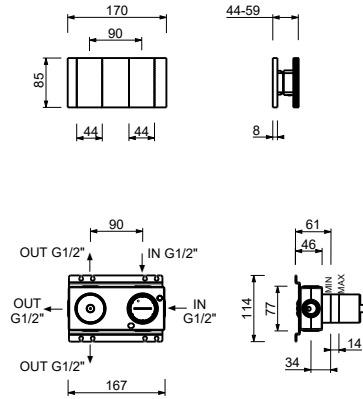
### Built-in piece

- |                          |             |
|--------------------------|-------------|
| <input type="checkbox"/> | 44 00 M687A |
|--------------------------|-------------|

### TOTAL PRICE

- |  |             |
|--|-------------|
| <input type="checkbox"/> Polished Nickel PVD     | 49 95 P783B |
| <input type="checkbox"/> Matt Gun Metal PVD      | 49 P5 P783B |
| <input type="checkbox"/> Brushed Stainless Steel | 49 93 P783B |

**ART. P783B+M687A**  
**Built-in shower mixer**



**Way number 1**

Pressure(bar)	Flow rate (l/min)
0.5	8.36
1	11.39
2	15.95
3	19.53
4	22.52

**Way number 2**

Pressure(bar)	Flow rate (l/min)
0.5	7.53
1	10.86
2	15.27
3	18.63
4	21.49

**Way number 3**

Pressure(bar)	Flow rate (l/min)
0.5	7.36
1	10.17
2	14.28
3	17.38
4	20.08