



ART. P743B+M623A

1/2" built-in thermostatic shower mixer

- handles
- with plate
- 2-way diverter with turning knob
- 1/2" inlets
- soundproof
- for horizontal installation only

Date _____

Project/Comments: _____

External piece

- | | |
|---|-------------|
| <input type="checkbox"/> Polished Nickel PVD | 49 95 P743B |
| <input type="checkbox"/> Matt Gun Metal PVD | 49 P5 P743B |
| <input type="checkbox"/> Brushed Stainless Steel | 49 93 P743B |

Built-in piece

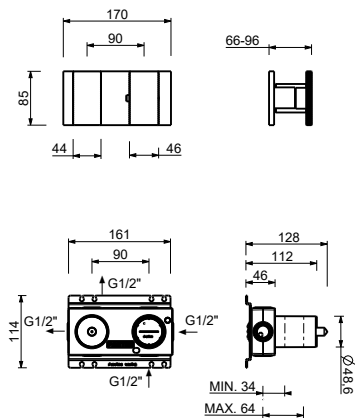
- | | |
|--------------------------|-------------|
| <input type="checkbox"/> | 44 00 M623A |
|--------------------------|-------------|

TOTAL PRICE

- | | |
|--|-------------|
| <input type="checkbox"/> Polished Nickel PVD | 49 95 P743B |
| <input type="checkbox"/> Matt Gun Metal PVD | 49 P5 P743B |
| <input type="checkbox"/> Brushed Stainless Steel | 49 93 P743B |

ART. P743B+M623A

1/2" built-in thermostatic shower mixer



Way number 1

Pressure(bar)	Flow rate (l/min)
0.5	8.44
1	11.87
2	16.79
3	20.5
4	23.76

Way number 2

Pressure(bar)	Flow rate (l/min)
0.5	7.45
1	10.47
2	14.59
3	17.9
4	20.7