



ART. L963B+M063A

Miscelatore doccia incasso

- maniglia
- 1 uscita da 1/2"
- ingressi da 1/2"
- isolamento acustico

Data

Progetto/Note

Parte esterna

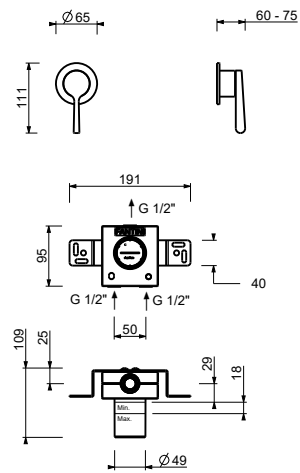
<input type="checkbox"/> Cromo	58 02 L963B
<input type="checkbox"/> Nero Opaco	58 13 L963B
<input type="checkbox"/> Matt Gun Metal PVD	58 P5 L963B
<input type="checkbox"/> Matt British Gold PVD	58 P6 L963B
<input type="checkbox"/> Deep Black PVD	58 S1 L963B
<input type="checkbox"/> Mokka PVD	58 S5 L963B
<input type="checkbox"/> Brushed Steel Look PVD	58 92 L963B

Parte da incasso

<input type="checkbox"/>	44 00 M063A
--------------------------	-------------

Prezzo totale

<input type="checkbox"/> Cromo	58 02 L963B
<input type="checkbox"/> Nero Opaco	58 13 L963B
<input type="checkbox"/> Matt Gun Metal PVD	58 P5 L963B
<input type="checkbox"/> Matt British Gold PVD	58 P6 L963B
<input type="checkbox"/> Deep Black PVD	58 S1 L963B
<input type="checkbox"/> Mokka PVD	58 S5 L963B
<input type="checkbox"/> Brushed Steel Look PVD	58 92 L963B

ART. L963B+M063A
 Miscelatore doccia incasso

USCITA 1

Pressione(bar)	Portata (l/min)
0.5	8.31
1	13.58
2	18.83
3	23.86
4	27.6