



ART. L963B+M063A

Built-in shower mixer

- handle
- no. 1 1/2" outlet
- 1/2" inlets
- soundproof

Date _____

Project/Comments: _____

External piece

- | | |
|---|-------------|
| <input type="checkbox"/> Chrome | 58 02 L963B |
| <input type="checkbox"/> Matt Black | 58 13 L963B |
| <input type="checkbox"/> Matt Gun Metal PVD | 58 P5 L963B |
| <input type="checkbox"/> Matt British Gold PVD | 58 P6 L963B |
| <input type="checkbox"/> Deep Black PVD | 58 S1 L963B |
| <input type="checkbox"/> Mokka PVD | 58 S5 L963B |
| <input type="checkbox"/> Brushed Steel Look PVD | 58 92 L963B |

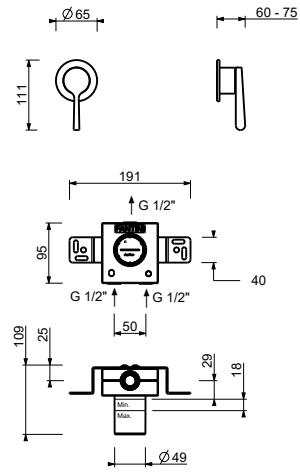
Built-in piece

- | | |
|--------------------------|-------------|
| <input type="checkbox"/> | 44 00 M063A |
|--------------------------|-------------|

TOTAL PRICE

- | | |
|---|-------------|
| <input type="checkbox"/> Chrome | 58 02 L963B |
| <input type="checkbox"/> Matt Black | 58 13 L963B |
| <input type="checkbox"/> Matt Gun Metal PVD | 58 P5 L963B |
| <input type="checkbox"/> Matt British Gold PVD | 58 P6 L963B |
| <input type="checkbox"/> Deep Black PVD | 58 S1 L963B |
| <input type="checkbox"/> Mokka PVD | 58 S5 L963B |
| <input type="checkbox"/> Brushed Steel Look PVD | 58 92 L963B |

ART. L963B+M063A
 Built-in shower mixer



Way number 1

Pressure(bar)	Flow rate (l/min)
0.5	8.31
1	13.58
2	18.83
3	23.86
4	27.6