



ART. L980B+R080A

Monomando baño/ducha a suelo

- distancia a chorro 20 cm
- maneta
- maneta apertura/cierre con regulación de caudal y temperatura ducha
- teleducha FIT
- soporte teleducha
- flexo PVC 150 cm
- entradas de 1/2"
- sobre columna

Fecha

Proyecto/Comentarios

Parte externa

- | | |
|-------------------------------------------------|-------------|
| <input type="checkbox"/> Cromo | 58 02 L980B |
| <input type="checkbox"/> Negro Opaco | 58 13 L980B |
| <input type="checkbox"/> Matt Gun Metal PVD | 58 P5 L980B |
| <input type="checkbox"/> Matt British Gold PVD | 58 P6 L980B |
| <input type="checkbox"/> Deep Black PVD | 58 S1 L980B |
| <input type="checkbox"/> Mokka PVD | 58 S5 L980B |
| <input type="checkbox"/> Brushed Steel Look PVD | 58 92 L980B |

Parte empotrable

- | | |
|--------------------------|-------------|
| <input type="checkbox"/> | 44 00 R080A |
|--------------------------|-------------|

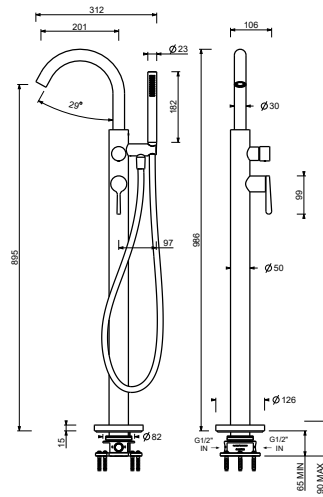
PRECIO TOTAL

- | | |
|-------------------------------------------------|-------------|
| <input type="checkbox"/> Cromo | 58 02 L980B |
| <input type="checkbox"/> Negro Opaco | 58 13 L980B |
| <input type="checkbox"/> Matt Gun Metal PVD | 58 P5 L980B |
| <input type="checkbox"/> Matt British Gold PVD | 58 P6 L980B |
| <input type="checkbox"/> Deep Black PVD | 58 S1 L980B |
| <input type="checkbox"/> Mokka PVD | 58 S5 L980B |
| <input type="checkbox"/> Brushed Steel Look PVD | 58 92 L980B |

TORINO

ART. L980B+R080A

Monomando baño/ducha a suelo



• Integrated aerator

| Presión(bar) | Caudal (l/min) |
|--------------|----------------|
| 0.5 | 8.66 |
| 1 | 12.6 |
| 2 | 18.12 |
| 3 | 22.34 |
| 4 | 25.93 |

• teleducha

| Presión(bar) | Caudal (l/min) |
|--------------|----------------|
| 0.5 | 4.16 |
| 1 | 5.85 |
| 2 | 8.15 |
| 3 | 9.25 |
| 4 | 8.52 |