



## ART. L921B+D220A

### Monomando baño/ducha empotrado

- distancia a chorro 20 cm
- maneta
- desviador giratorio 2 salidas
- teleducha FIT
- toma de agua y soporte teleducha
- flexo PVC 150 cm
- entradas de 1/2"

### Fecha

### Proyecto/Comentarios

#### Parte externa

- |                          |                        |             |
|--------------------------|------------------------|-------------|
| <input type="checkbox"/> | Cromo                  | 58 02 L921B |
| <input type="checkbox"/> | Negro Opaco            | 58 13 L921B |
| <input type="checkbox"/> | Matt Gun Metal PVD     | 58 P5 L921B |
| <input type="checkbox"/> | Matt British Gold PVD  | 58 P6 L921B |
| <input type="checkbox"/> | Deep Black PVD         | 58 S1 L921B |
| <input type="checkbox"/> | Mokka PVD              | 58 S5 L921B |
| <input type="checkbox"/> | Brushed Steel Look PVD | 58 92 L921B |

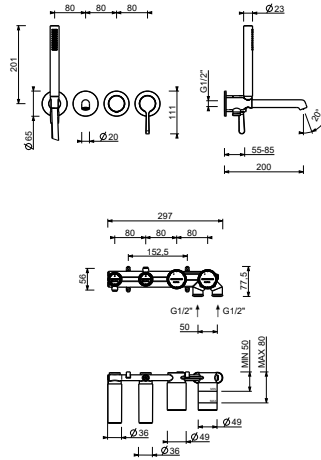
#### Parte empotrable

- |                          |             |
|--------------------------|-------------|
| <input type="checkbox"/> | 44 00 D220A |
|--------------------------|-------------|

#### PRECIO TOTAL

- |                          |                        |             |
|--------------------------|------------------------|-------------|
| <input type="checkbox"/> | Cromo                  | 58 02 L921B |
| <input type="checkbox"/> | Negro Opaco            | 58 13 L921B |
| <input type="checkbox"/> | Matt Gun Metal PVD     | 58 P5 L921B |
| <input type="checkbox"/> | Matt British Gold PVD  | 58 P6 L921B |
| <input type="checkbox"/> | Deep Black PVD         | 58 S1 L921B |
| <input type="checkbox"/> | Mokka PVD              | 58 S5 L921B |
| <input type="checkbox"/> | Brushed Steel Look PVD | 58 92 L921B |

**ART. L921B+D220A**  
**Monomando baño/ducha empotrado**



**• Integrated aerator**

Presión(bar)	Caudal (l/min)
0.5	9.01
1	12.21
2	17.05
3	20.84
4	23.95

**• teleducha**

Presión(bar)	Caudal (l/min)
0.5	4.05
1	5.79
2	7.83
3	8.64
4	8.25