



ART. L921B+D220A

Built-in bathtub mixer

- spout projection 20 cm
- handle
- 2-way diverter with turning knob
- FIT handshower
- water plug with showerholder
- 150 cm PVC flexible
- 1/2" inlets

Date

Project/Comments:

External piece

- | | |
|---|-------------|
| <input type="checkbox"/> Chrome | 58 02 L921B |
| <input type="checkbox"/> Matt Black | 58 13 L921B |
| <input type="checkbox"/> Matt Gun Metal PVD | 58 P5 L921B |
| <input type="checkbox"/> Matt British Gold PVD | 58 P6 L921B |
| <input type="checkbox"/> Deep Black PVD | 58 S1 L921B |
| <input type="checkbox"/> Mokka PVD | 58 S5 L921B |
| <input type="checkbox"/> Brushed Steel Look PVD | 58 92 L921B |

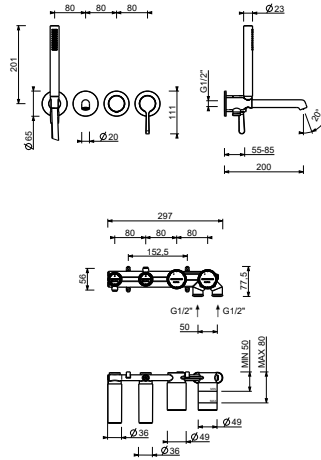
Built-in piece

- | | |
|--------------------------|-------------|
| <input type="checkbox"/> | 44 00 D220A |
|--------------------------|-------------|

TOTAL PRICE

- | | |
|---|-------------|
| <input type="checkbox"/> Chrome | 58 02 L921B |
| <input type="checkbox"/> Matt Black | 58 13 L921B |
| <input type="checkbox"/> Matt Gun Metal PVD | 58 P5 L921B |
| <input type="checkbox"/> Matt British Gold PVD | 58 P6 L921B |
| <input type="checkbox"/> Deep Black PVD | 58 S1 L921B |
| <input type="checkbox"/> Mokka PVD | 58 S5 L921B |
| <input type="checkbox"/> Brushed Steel Look PVD | 58 92 L921B |

ART. L921B+D220A
Built-in bathtub mixer



• **Integrated aerator**

Pressure(bar)	Flow rate (l/min)
0.5	9.01
1	12.21
2	17.05
3	20.84
4	23.95

• **handshower**

Pressure(bar)	Flow rate (l/min)
0.5	4.05
1	5.79
2	7.83
3	8.64
4	8.25