

ART. 0511B+R010A

Wall-mount washbasin mixer

- spout projection 20 cm
- handles
- flow restrictor 5 l/min at 3 bar
- 90° ceramic cartridge
- 1/2" inlets
- WITHOUT WASTE

Date _____

Project/Comments: _____

External piece

- | | |
|--|---------------|
| <input type="checkbox"/> Matt Black | 60 13 0511B |
| <input type="checkbox"/> Matt White | 60 29 0511B |
| <input type="checkbox"/> Red - Chrome | 60 06 0511B02 |
| <input type="checkbox"/> RAL Colour on request * | 60 __ 0511B |

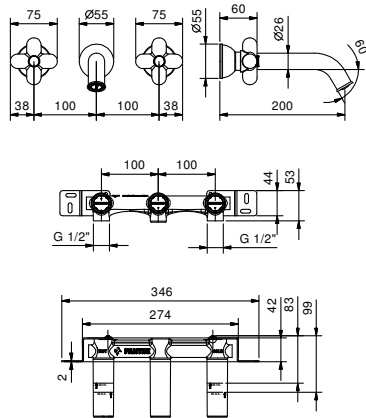
Built-in piece

- | | |
|--------------------------|-------------|
| <input type="checkbox"/> | 44 00 R010A |
|--------------------------|-------------|

TOTAL PRICE

- | | |
|--|---------------|
| <input type="checkbox"/> Matt Black | 60 13 0511B |
| <input type="checkbox"/> Matt White | 60 29 0511B |
| <input type="checkbox"/> Red - Chrome | 60 06 0511B02 |
| <input type="checkbox"/> RAL Colour on request * | 60 __ 0511B |

ART. 0511B+R010A
Wall-mount washbasin mixer



• **Integrated aerator**

Pressure(bar)	Flow rate (l/min)
0.5	3.46
1	4.62
2	5.58
3	5.53
4	5.64