



ART. G785B+M585A

Monomando ducha empotrado

- manetas
- con placa
- desviador giratorio 2 salidas
- entradas de 1/2"
- aislamiento acústico
- solo para montaje vertical

Fecha

Proyecto/Comentarios

Parte externa

- | | |
|---|-------------|
| <input type="checkbox"/> Cromo | 31 02 G785B |
| <input type="checkbox"/> Polished Nickel PVD | 31 95 G785B |
| <input type="checkbox"/> Matt Gun Metal PVD | 31 P5 G785B |
| <input type="checkbox"/> Matt British Gold PVD | 31 P6 G785B |
| <input type="checkbox"/> Matt Copper PVD | 31 P9 G785B |
| <input type="checkbox"/> Deep Black PVD | 31 S1 G785B |
| <input type="checkbox"/> Pure Brass PVD | 31 Q7 G785B |
| <input type="checkbox"/> Raw Metal PVD | 31 Q8 G785B |
| <input type="checkbox"/> Acero Cepillado | 31 93 G785B |

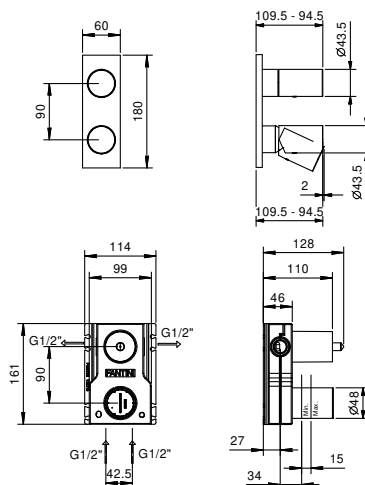
Parte empotrable

- | | |
|--------------------------|-------------|
| <input type="checkbox"/> | 44 00 M585A |
|--------------------------|-------------|

PRECIO TOTAL

- | | |
|--|-------------|
| <input type="checkbox"/> Cromo | 31 02 G785B |
| <input type="checkbox"/> Polished Nickel PVD | 31 95 G785B |
| <input type="checkbox"/> Matt Gun Metal PVD | 31 P5 G785B |
| <input type="checkbox"/> Matt British Gold PVD | 31 P6 G785B |
| <input type="checkbox"/> Matt Copper PVD | 31 P9 G785B |
| <input type="checkbox"/> Deep Black PVD | 31 S1 G785B |
| <input type="checkbox"/> Pure Brass PVD | 31 Q7 G785B |
| <input type="checkbox"/> Raw Metal PVD | 31 Q8 G785B |
| <input type="checkbox"/> Acero Cepillado | 31 93 G785B |

ART. G785B+M585A
Monomando ducha empotrado



Salida 1

Presión(bar)	Caudal (l/min)
0.5	8.44
1	11.87
2	16.79
3	20.5
4	23.76

Salida 2

Presión(bar)	Caudal (l/min)
0.5	7.45
1	10.47
2	14.59
3	17.9
4	20.7